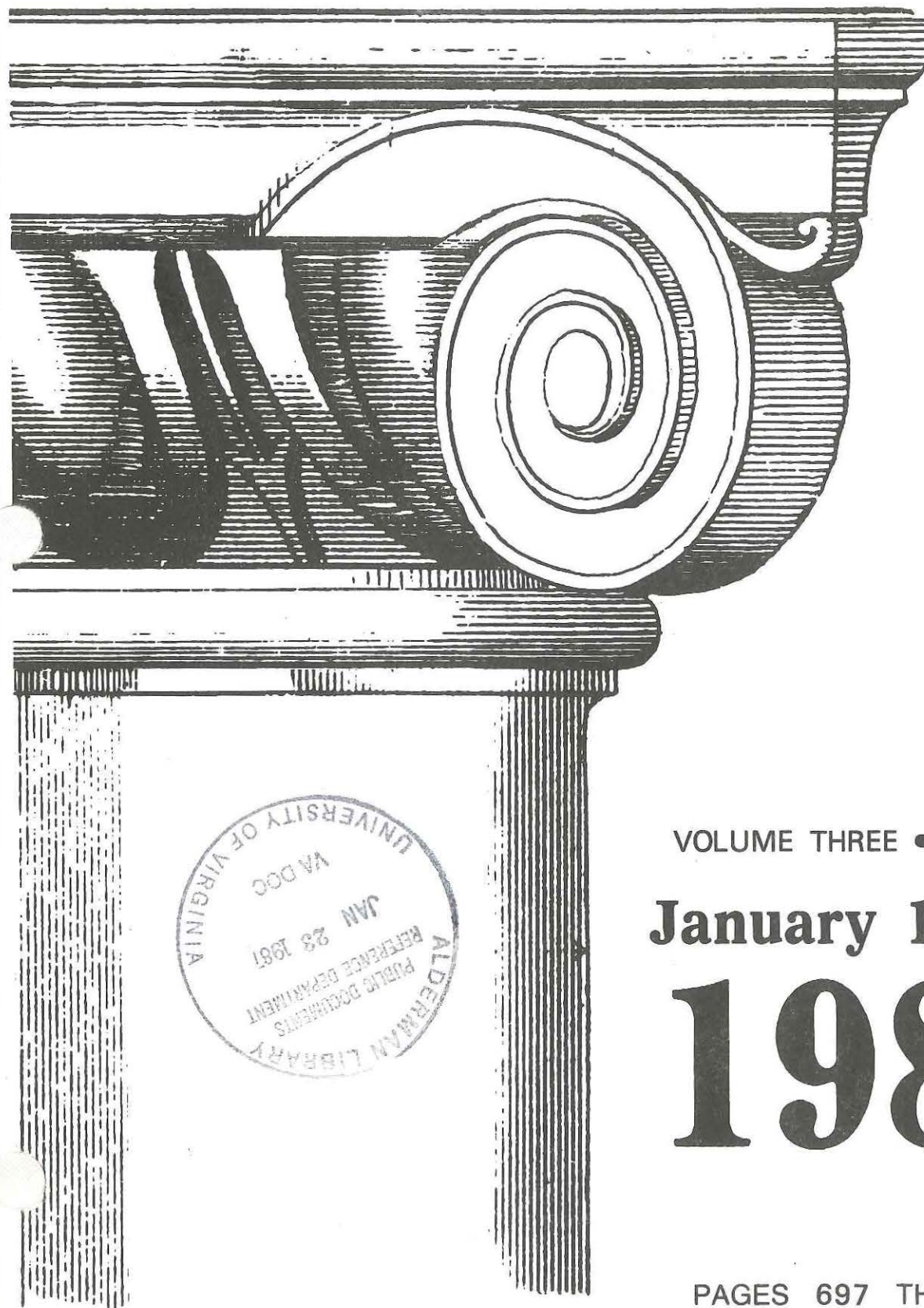


VA
DOC

5/R26/
3-8 R

THE VIRGINIA REGISTER

OF REGULATIONS



UNIVERSITY OF VIRGINIA
VA DOC
JAN 28 1987
ALDERMAN LIBRARY
PUBLIC DOCUMENTS
REFERENCE DEPARTMENT

VOLUME THREE • ISSUE EIGHT

January 19, 1987

1987

PAGES 697 THROUGH 772

INFORMATION ABOUT THE VIRGINIA REGISTER OF REGULATIONS

VIRGINIA REGISTER

The *Virginia Register* is an official state publication issued every other week throughout the year. Indexes are published quarterly, and the last index of the year is cumulative.

The *Virginia Register* has several functions. The full text of all regulations, both as proposed and as finally adopted or changed by amendment are required by law to be published in the *Virginia Register of Regulations*.

In addition, the *Virginia Register* is a source of other information about state government, including all Emergency Regulations issued by the Governor, and Executive Orders, the *Virginia Tax Bulletin* issued monthly by the Department of Taxation, and notices of all public hearings and open meetings of state agencies.

ADOPTION, AMENDMENT, AND REPEAL OF REGULATIONS

An agency wishing to adopt, amend, or repeal regulations must first publish in the *Virginia Register* a notice of proposed action; a basis, purpose, impact and summary statement; a notice giving the public an opportunity to comment on the proposal, and the text of the proposed regulations.

Under the provisions of the Administrative Process Act, the Registrar has the right to publish a summary, rather than the full text, of a regulation which is considered to be too lengthy. In such case, the full text of the regulation will be available for public inspection at the office of the Registrar and at the office of the promulgating agency.

Following publication of the proposal in the *Virginia Register*, sixty days must elapse before the agency may take action on the proposal.

During this time, the Governor and the General Assembly will review the proposed regulations. The Governor will transmit his comments on the regulations to the Registrar and the agency and such comments will be published in the *Virginia Register*.

Upon receipt of the Governor's comment on a proposed regulation, the agency (i) may adopt the proposed regulation, if the Governor has no objection to the regulation; (ii) may modify and adopt the proposed regulation after considering and incorporating the Governor's suggestions, or (iii) may adopt the regulation without changes despite the Governor's recommendations for change.

The appropriate standing committee of each branch of the General Assembly may meet during the promulgation or final adoption process and file an objection with the *Virginia Registrar* and the promulgating agency. The objection will be published in the *Virginia Register*. Within twenty-one days after receipt by the agency of a legislative objection, the agency shall file a response with the Registrar, the objecting legislative Committee, and the Governor.

When final action is taken, the promulgating agency must again publish the text of the regulation, as adopted, highlighting and explaining any substantial changes in the final regulation. A thirty-day final adoption period will commence upon publication in the *Virginia Register*.

The Governor will review the final regulation during this time and if he objects, forward his objection to the Registrar and the agency. His objection will be published in the *Virginia Register*. If the Governor finds that changes made to the proposed regulation are substantial, he may suspend the regulatory process for thirty days and require the agency to solicit additional public comment on the substantial changes.

A regulation becomes effective at the conclusion of this thirty-day final adoption period, or at any other later date specified by the promulgating agency, unless (i) a legislative

objection has been filed, in which event the regulation, unless withdrawn, becomes effective on the date specified, which shall be after the expiration of the twenty-one day extension period; or (ii) the Governor exercises his authority to suspend the regulatory process for solicitation of additional public comment, in which event the regulation, unless withdrawn, becomes effective on the date specified which date shall be after the expiration of the period for which the Governor has suspended the regulatory process.

Proposed action on regulations may be withdrawn by the promulgating agency at any time before final action is taken.

EMERGENCY REGULATIONS

If an agency determines that an emergency situation exists, it then requests the Governor to issue an emergency regulation. The emergency regulation becomes operative upon its adoption and filing with the Registrar of Regulations, unless a later date is specified. Emergency regulations are limited in time and cannot exceed a twelve-months duration. The emergency regulations will be published as quickly as possible in the *Virginia Register*.

During the time the emergency status is in effect, the agency may proceed with the adoption of permanent regulations through the usual procedures (See "Adoption, Amendment, and Repeal of Regulations," above). If the agency does not choose to adopt the regulations, the emergency status ends when the prescribed time limit expires.

STATEMENT

The foregoing constitutes a generalized statement of the procedures to be followed. For specific statutory language, it is suggested that Article 2 of Chapter 1.1:1 (§§ 9-6.14:6 through 9-6.14:9) of the Code of Virginia be examined carefully.

CITATION TO THE VIRGINIA REGISTER

The *Virginia Register* is cited by volume, issue, page number, and date. 1:3 V.A.R. 75-77 November 12, 1984 refers to Volume 1, Issue 3, pages 75 through 77 of the *Virginia Register* issued on November 12, 1984.

"The *Virginia Register of Regulations*" is published bi-weekly, except four times in January, April, July and October for \$85 per year by the Virginia Code Commission, General Assembly Building, Capitol Square, Richmond, Virginia 23219. Telephone (804) 786-3591. Application to Mail at Second-Class Postage Rates is Pending at Richmond, Virginia. POSTMASTER: Send address changes to the *Virginia Register of Regulations*, P.O. Box 3-AG, Richmond, Virginia 23208.

The *Virginia Register of Regulations* is published pursuant to Article 7 of Chapter 1.1:1 (§ 9-6.14:2 et seq.) of the Code of Virginia. Individual copies are available for \$4 each from the Registrar of Regulations.

Members of the Virginia Code Commission: Theodore V. Morrison, Jr., Chairman, Delegate; Dudley J. Emick, Jr., Vice Chairman, Senator; A. L. Phillpott, Speaker of the House of Delegates; James P. Jones, Senator; Russell M. Carneal, Circuit Judge; John Wingo Knowles, Retired Circuit Judge; H. Lane Kneedler, Chief Deputy Attorney General; John A. Banks, Jr., Secretary, Director of the Division of Legislative Services.

Staff of the Virginia Register: Joan W. Smith, Registrar of Regulations; Ann M. Brown, Deputy Registrar of Regulations.

VIRGINIA REGISTER OF REGULATIONS

PUBLICATION DEADLINES AND SCHEDULES

PUBLICATION DATE	MATERIAL SUBMITTED BY 12 noon Wednesday
July 7	June 18
July 21	July 2
Aug. 4	July 16
Aug. 18	July 30
Sept. 1	Aug. 13
Sept. 15	Aug. 27
Sept. 29	Sept. 10
Final Index - Volume II	
Oct. 13	Sept. 24
Oct. 27	Oct. 8
Nov. 10	Oct. 22
Nov. 24	Nov. 5
Dec. 8	Nov. 19
Dec. 22	Dec. 3
Index - 1st Issue, Volume III	
1987	
Jan. 5	Dec. 17
Jan. 19	Dec. 31
Feb. 2	Jan. 14
Feb. 16	Jan. 28
Mar. 2	Feb. 11
Mar. 16	Feb. 25
Index - 2nd Issue	
Mar. 30	Mar. 11
Apr. 13	Mar. 25
Apr. 27	Apr. 8
May 11	Apr. 22
May 25	May 6
June 8	May 20
June 22	June 3
Index - 3rd Issue	
July 6	June 17
July 20	July 1
Aug. 3	July 15
Aug. 17	July 29
Aug. 31	Aug. 12
Sept. 14	Aug. 26
Sept. 28	Sept. 9
Final Index - Volume III	

TABLE OF CONTENTS

PROPOSED REGULATIONS

CRIMINAL JUSTICE SERVICES BOARD

Rules Relating to Compulsory Minimum Training Standards for Jailors or Custodial Officers/Courthouse and Courtroom Security Officers/Deputy Sheriffs Designated to Serve Process. (VR 240-01-4)	698
Rules Relating to Compulsory Minimum Training Standards for Noncustodial Employees of the Department of Corrections. (VR 240-01-11)	702

FINAL REGULATIONS

BOARD OF EDUCATION

Regulations Governing Pupil Transportation Including Minimum Standards for School Buses in Virginia. (VR 270-01-0006)	706
---	-----

VIRGINIA HEALTH SERVICES COST REVIEW COUNCIL

The Rules and Regulations of the Virginia Health Services Cost Review Council. (VR 370-01-001)	733
--	-----

EMERGENCY REGULATIONS

DEPARTMENT OF SOCIAL SERVICES

Emergency Regulation Governing Eligibility Determination Definition of Home Ownership or Contiguous Property.	739
--	-----

GOVERNOR

GOVERNOR'S COMMENTS

VIRGINIA HEALTH SERVICES COST REVIEW COUNCIL

Rules and Regulations of the Virginia Health Services Cost Review Council. (VR 370-01-001)	742
--	-----

DEPARTMENT OF MEDICAL ASSISTANCE SERVICES

Rehabilitative Services.	742
-------------------------------	-----

GENERAL NOTICES/ERRATA

NOTICES OF INTENDED REGULATORY ACTION

Notices of Intent	743
-------------------------	-----

GENERAL NOTICES

DEPARTMENT OF WASTE MANAGEMENT

Virginia Hazardous Waste Management Regulations - Amendment 8	746
---	-----

Virginia Hazardous Waste Management Regulations - Amendment 9	747
---	-----

NOTICE TO STATE AGENCIES

Forms for filing material on date for publication in the Virginia Register of Regulations	748
---	-----

ERRATA

DEPARTMENT OF HEALTH

Standards for Evaluating Certificate of Public Need Application to Establish or Expand Nursing Home Services. (VR 360-01-03)	748
--	-----

Standards for Evaluating Certificate of Public Need Applications to Establish or Expand Ambulatory Surgical Services. (VR 360-01-04)	748
--	-----

CALENDAR OF EVENTS

EXECUTIVE

Open Meetings and Public Hearings	749
---	-----

LEGISLATIVE

Open Meetings and Public Hearings	769
---	-----

CHRONOLOGICAL LIST

Open Meetings	769
Public Hearings	771

PROPOSED REGULATIONS

For information concerning Proposed Regulations, see information page.

Symbol Key

Roman type indicates existing text of regulations. *Italic type* indicates proposed new text. Language which has been stricken indicates proposed text for deletion.

CRIMINAL JUSTICE SERVICES BOARD

Title of Regulation: VR 240-01-4. Rules Relating to Compulsory Minimum Training Standards for Jailors or Custodial Officers/Courthouse and Courtroom Security Officers/Deputy Sheriffs Designated to Serve Process.

Statutory Authority: § 9-170 of the Code of Virginia.

Public Hearing Date: April 1, 1987 - 9 a.m.
(See Calendar of Events section for additional information)

Summary:

The proposed amendments to the Rules Relating to Compulsory Minimum Training Standards for Jailors or Custodial Officers of Local Criminal Justice Agencies are submitted in accordance with § 9-6.14:7.1 of the Code of Virginia.

These amendments are being proposed pursuant to the regulation-issuing authority granted to the Criminal Justice Services Board by § 9-170 of the Code of Virginia.

The proposed amendments revise the minimum training curricula requirements for Jailors or Custodial Officers/Courthouse and Courtroom Security Officers/Deputy Sheriffs Designated to Serve Process. Specifically, the proposed amendments will merge the current Rules Relating to Minimum Training Standards for Jailors or Custodial Officers of Local Criminal Justice Agencies and the current Rules Relating to Courthouse and Courtroom Security Officers/Deputy Sheriffs Designated to Serve Process. The Rules Relating to Minimum Training Standards for Courthouse and Courtroom Security Officers/Deputy Sheriffs Designated to Serve Process will be repealed upon the effective date of these regulations subject to the approval of the Criminal Justice Services Board.

VR 240-01-4. Rules Relating to Compulsory Minimum Training Standards for Jailors or Custodial Officers/Courthouse and Courtroom Security Officers/Deputy Sheriffs Designated to Serve Process.

Rules Relating to ~~COMPULSORY MINIMUM TRAINING STANDARDS FOR JAILORS OR CUSTODIAL OFFICERS OF LOCAL CRIMINAL JUSTICE AGENCIES~~

PART I
GENERAL.

Pursuant to the provisions of *subdivisions 1, 5, 5A, and 7* of § 9-170 (~~4~~) of the Code of Virginia, the ~~Department~~ Criminal Justice Services Board hereby promulgates the following rules for Compulsory Minimum Training Standards for Jailors or Custodial /*Courthouse and Courtroom Security Officers/Deputy Sheriffs Designated to Serve Process* .

§ ~~1-0~~. § 1.1. Definitions.

The following words and terms, when used in these regulations, shall have the following meaning, unless the context clearly indicates otherwise:

A. "Agency administrator" means any chief of police, sheriff or agency head of a state, county or local law enforcement agency.

B. "Approved training school" means a training school which provides instruction of at least the minimum training standards mandated by the ~~Department~~ board and has been approved by the department for the specific purpose of training criminal justice personnel.

C. "Board" means the Criminal Justice Services Board.

D. "Department" means the Department of Criminal Justice Services.

E. "Director" means the chief administrative officer of the department

"Full-time attendance" means that officers in training shall attend all classes and shall not be placed on duty or call except in cases of emergency for the duration of the school.

F. "School director" means the chief administrative officer of an approved training school.

§ ~~2-0~~. § 1.2. Compulsory minimum training standards.

Pursuant to the provisions of *subdivisions 1, 5, 5A and 7* of §§ 9-170 (~~4~~) and 53.1-120 of the Code of Virginia, the ~~Department~~ board establishes the following as the Compulsory Minimum Training Standards for Jailors or Custodial /*Courthouse and Courtroom Security Officers/Deputy Sheriffs Designated to Serve Process* .

I. A. Core subjects Hours

1. Administration. *Jailors or Custodial Officers and Courthouse and Courtroom Security Officers/Deputy*

Proposed Regulations

<p><i>Sheriffs Designated to Serve Process</i> 11 12</p> <p style="padding-left: 20px;">A. a. Orientation 1</p> <p style="padding-left: 40px;">1. Welcome</p> <p style="padding-left: 40px;">2. School Rules and Regulations</p> <p style="padding-left: 40px;">3. Attitude</p> <p style="padding-left: 40px;">4. Attendance</p> <p style="padding-left: 40px;">5. Pre-Test</p> <p style="padding-left: 20px;">B. b. Notebook construction and note taking 1</p> <p style="padding-left: 20px;">C. c. Code of ethics 1</p> <p style="padding-left: 20px;">D. d. Jail history 1</p> <p style="padding-left: 20px;">E. e. Testing and review 6 7</p> <p style="padding-left: 20px;">F. f. Evaluations 1</p> <p style="padding-left: 40px;">1. Subject Matter</p> <p style="padding-left: 40px;">2. Presentations</p> <p style="padding-left: 40px;">3. Accommodations</p> <p style="padding-left: 20px;">2. Combined subjects. <i>Jailors or Custodial Officers and Courthouse and Courtroom Security Officers/Deputy Sheriffs Designated to Serve Process.</i> 44 63</p> <p style="padding-left: 40px;">a. Unusual prisoners 6</p> <p style="padding-left: 40px;">b. Officer safety and arrest techniques 16</p> <p style="padding-left: 40px;">c. Report writing 4</p> <p style="padding-left: 40px;">d. Court systems 2</p> <p style="padding-left: 40px;">e. Constitutional law and civil liability 4</p> <p style="padding-left: 40px;">f. Code of Virginia 6</p> <p style="padding-left: 40px;">g. Search and seizure 8</p> <p style="padding-left: 40px;">h. Laws of arrest 6</p> <p style="padding-left: 40px;">i. Rules of evidence 8</p> <p style="padding-left: 40px;">j. Probable cause 1</p> <p style="padding-left: 40px;">k. Juvenile law 2</p> <p style="padding-left: 60px;">1. <i>Firearms (refer to § 3.1, subsection D)</i> 2</p> <p style="padding-left: 20px;">B. <i>Jailors or custodial officers.</i></p> <p style="padding-left: 40px;">H. 1. Skills. 24</p>	<p style="padding-left: 20px;">A. a. Chemical agents 1</p> <p style="padding-left: 20px;">B. b. Courtroom demeanor and appearance 1</p> <p style="padding-left: 20px;">C. c. Multimedia first aid 8</p> <p style="padding-left: 20px;">D. d. Transportation of Prisoners and Physical Restraints 6</p> <p style="padding-left: 20px;">E. e. Cell search 4</p> <p style="padding-left: 20px;">F. f. Fingerprinting and privacy and security of criminal history records 4</p> <p>III. 2. Legal matters. 17 5</p> <p style="padding-left: 40px;">A. a. Role of Commonwealth and defense attorneys 1</p> <p style="padding-left: 40px;">B. b. Freedom of Information Act 1</p> <p style="padding-left: 40px;">C. c. Juvenile offender and the juvenile justice system 1</p> <p style="padding-left: 60px;">d. <i>Discipline and due process</i> 2</p> <p>IV. 3. Jail operation. 11</p> <p style="padding-left: 40px;">A. a. Inmate behavior 1</p> <p style="padding-left: 40px;">B. b. Jail climate 1</p> <p style="padding-left: 40px;">C. c. Key control and headcount 1</p> <p style="padding-left: 40px;">D. d. Classification 1</p> <p style="padding-left: 40px;">E. e. Receiving and discharging inmates 3</p> <p style="padding-left: 40px;">F. f. Standards for local jails and lockups 4</p> <p>V. 4. Jail security procedures. 13 7</p> <p style="padding-left: 40px;">A. a. Escapes 1</p> <p style="padding-left: 40px;">B. b. Trustees 1</p> <p style="padding-left: 40px;">C. c. Medication security 1</p> <p style="padding-left: 40px;">D. d. Hostage and disturbance situations 2</p> <p style="padding-left: 40px;">E. e. Supervisory techniques 2</p> <p>VI. 5. Community relations. 8</p> <p style="padding-left: 40px;">A. a. Public responsibilities 1</p> <p style="padding-left: 40px;">B. b. Probation and parole 1</p> <p style="padding-left: 40px;">C. c. Work release 1</p> <p style="padding-left: 40px;">D. d. Human relations 4</p>
--	--

Proposed Regulations

E. e. Community resources 1

C. Courthouse and courtroom security/deputy sheriffs designated to serve process.

1. Court security process server. 26

 a. Laws of civil process 16

 b. Legal document workshop 8

 c. D.M.V. notices 2

2. Court security procedures and responsibilities. ... 11

 a. Duties and responsibilities of court security personnel 2

 b. Security threats 1

 c. Explosives and security problems 2

 d. Identification of personnel, package control and detection devices 2

 e. Sequestered juries and witnesses 1

 f. Moot problems and courtroom search 3

PART II.

§ 3-0. § 2.1. Applicability.

A. Every person employed as a jailor or custodial officer in accordance with § 9-170(7), of the Code of Virginia, shall meet compulsory minimum training standards herein established in subsections A and B unless provided otherwise in accordance with § 2.1, subsection D.

B. Every person employed as a Courthouse and Courtroom Security Officer/Deputy Sheriff Designated to Serve Process in accordance with subdivisions 5, 5A and 7 of § 9-170 of the Code of Virginia, shall meet compulsory minimum training standards herein established in subsections A and C unless provided otherwise in accordance with § 2.1, subsection C.

C. Any jailor or custodial officer who originally complied with all training requirements and later was separated from full-time jailor or custodial officer status for a period of time in excess of 24 months, will be required to comply with the compulsory minimum training standards unless provided otherwise in accordance with Section 3-0, B, above. Every person employed as a Jailor or Custodial Officer/Courthouse and Courtroom Security Officer/Deputy Sheriff Designated to Serve Process and desires to meet both standards in accordance with subdivisions 5, 5A and 7 of § 9-170 of the Code of Virginia, shall meet compulsory minimum training standards herein established in subsections A, B, and C, unless provided otherwise in accordance with § 2.1, subsection D.

D. The director may grant an exemption or partial exemption of the compulsory minimum training standards as set forth in Section 2-0 to a jailor or custodial officer of any political subdivision of the Commonwealth who has had previous experience and training as a jailor, or custodial officer established herein, in accordance with § 9-173 of the Code of Virginia .

§ 4-0. § 2.2. Time requirement for completion of training.

A. Every jailor or custodial /courthouse and courtroom security officer/deputy sheriff designated to serve process who is required to comply with the compulsory minimum training standards must shall satisfactorily complete such training within 12 months of the date of appointment as a jailor or custodial officer unless provided otherwise in accordance with § 2.2, subsection B of these regulations .

B. The director may grant an extension of the time limit for completion of the minimum training required upon presentation of evidence by the agency administrator that such officer was unable to complete the required training within the specified time limit due to illness, injury, military service or special duty assignment required and performed in the public interest. The agency administrator must shall request such extension prior to expiration of any time limit.

C. Any jailor or custodial/courthouse and courtroom security officer/deputy sheriff designated to serve process who originally complied with all training requirements and later separated from jailor or custodial/courthouse and courtroom security/process server status, in excess of 24 months, upon reentry as a jailor, courthouse and courtroom security officer/process server will be required to complete all compulsory minimum training standards unless provided otherwise in accordance with § 2.1, subsection B of these regulations.

§ 5-0. § 2.3. How Compulsory minimum training may be attained.

A. The compulsory minimum training standards shall be attained by attending and satisfactorily completing an approved training school.

B. Officers attending an approved training school are required to attend all classes and should not be placed on duty or on call except in cases of emergency. In the event of such an emergency, the agency administrator shall advise the school director within 24 hours. Absences not exceeding 10% of the minimum training curriculum are permissible providing such absence is a result of injury, illness or required court appearance. Officers will be responsible for any material missed during an excused absence.

§ 6-0. § 2.4. Approved training schools.

A. Jailor or custodial officer training schools, in order to meet § 1.2, subsections A and B of these rules, shall be

Proposed Regulations

approved by the department prior to the first scheduled class. Courthouse and courtroom security officers/deputy sheriffs designated to serve process training schools, in order to meet § 1.2, subsections A and C of these rules, shall be approved prior to the first scheduled class. Combined jailor or custodial/courthouse and courtroom security officers/deputy sheriffs designated to serve process training schools, in order to meet § 1.2, subsections A, B and C of these rules, shall be approved prior to the first scheduled class. Approval is requested by making application to the director on forms provided by the department. The director may approve those schools which on the basis of curricula, instructors, facilities, and examinations, provide the required minimum training. One application for all mandated training shall be submitted prior to the beginning of each fiscal year. A curriculum listing the subjects, the instructors, dates and times for the entire proposed training session shall be submitted to the department 30 days prior to the beginning of each such proposed session. An exemption to the 30 day requirement may be waived granted for good cause shown by the school director.

B. Each school director will be required to maintain a file of all current lesson plans and supporting material for each subject contained in the compulsory minimum training standards.

C. Schools which are approved will be subject to inspection and review by the director or staff, or both.

D. The ~~director~~ department may suspend the approval of an approved training school upon written notice, which shall contain the reason(s) upon which the suspension is based, to the school's director. The school's director may request a hearing before the board. The request shall be in writing and ~~must~~ shall be received by the department within 15 days of the date of the notice of suspension revocation.

E. The ~~director~~ department may revoke the approval of any approved training school upon written notice, which shall contain the reason(s) upon which the revocation is based, to the school's director. The school's director may request a hearing before the board. The request shall be in writing and ~~must~~ shall be received by the department within 15 days of the date of the notice of revocation.

PART III. GRADING.

§ 7.0. § 3.1. Grading.

A. All written examinations shall include a minimum of two (2) questions for each hour of mandatory instruction. This requirement likewise includes the classroom instruction on performance-oriented subject matter. However, for those subjects which exceed five (5) hours of instruction, ten (10) questions will suffice as an acceptable minimum: one test question pertaining to each instructional objective specified in the document entitled "Resumes and

Objectives for Jailors or Custodial/Courthouse and Courtroom Security Officers/Deputy Sheriffs Designated to Serve Process."

B. All officers must attain a minimum grade of 70% in each grading category to satisfactorily complete the compulsory minimum training standards. Any officer who fails to attain the minimum 70% in any grading category will be required to take all subjects comprising that grading category in a subsequent approved training school. The officer may be tested and retested as may be necessary within the limits of § 2.2, subsection A of these rules and each academy's written policy. An officer shall not be certified as having complied with the compulsory minimum training standards unless all applicable requirements have been met.

C. Approved jailors or custodial officers training schools shall maintain accurate records of all tests, grades and testing procedures. Academy training records must be maintained in accordance with the provisions of these rules and Sections 42.1-76 through 42.1-91, Code of Virginia (1950), as amended.

C. The following firearms training will be required for each officer attending an approved school:

1. Nomenclature and care of service revolver;
2. Safety (on the firearms range, on duty and off duty);
3. Legal responsibilities and liabilities of firearms;
4. Service revolver (handling, firing principles);
5. Dry firing and application of basic shooting principles;
6. Prequalification shooting (150 rounds, minimum);
7. Virginia Modified Double Action Course (70% minimum qualification required);
8. Qualification (70% minimum required) on one of the following record courses:
 - a. Modified Tactical Revolver Course
 - b. Modified Practical Pistol Course
 - c. Virginia Modified Combat Course I
 - d. Virginia Modified Combat Course II

9. D. Familiarization with the police shotgun (20 rounds required - shoulder and hip position).

Firearms training will be graded on a satisfactory/unsatisfactory basis. Any officer that does not achieve a satisfactory rating in firearm training will not

Proposed Regulations

be eligible for a certificate of satisfactory completion. For further instructions and specific course requirements, refer to the "Course Resumes and Objectives for Required Compulsory Minimum Training for Jailors or Custodial/Courthouse and Courtroom Security Officers/Deputy Sheriffs Designated to Serve Process."

§ 8-0. § 3.2. Failure to comply with rules and regulations.

Any jailor or custodial /courthouse and courtroom security officer/deputy sheriff designated to serve process attending an approved training school shall comply with the rules and regulations promulgated by the board and any other rules and regulations within the authority of the school director. The school director shall be responsible for enforcement of all rules and regulations established to govern the conduct of attendees. If the school shall be responsible for enforcement of all rules and regulations established to govern the conduct of attendees. If the school director considers a violation of the rules and regulations detrimental to the welfare of the school, the school director may expel the officer from the school. Notification of such action shall immediately be reported in writing within 48 hours to the officer's agency administrator and the director.

PART IV.
ADMINISTRATION.

§ 9-0. § 4.1. Administrative requirements.

A. Reports will be required from the agency administrator and school director on forms approved or provided by the department and at such times as designated by the director.

B. The school director shall, within 30 days upon completion of an approved training school session, comply with the following:

1. Prepare a grade report on each officer maintaining the original for the academy records and forwarding a copy to the agency administrator of the officer.
2. Submit to the department a roster containing the names of those officers who have satisfactorily completed all training requirements and if applicable, a revised curriculum for the training session.

C. The school director shall furnish each instructor with a complete set of course resumes and objectives for the assigned subject matter.

D. Approved training schools for jailors or custodial/courthouse and courtroom security officers/deputy sheriffs designated to serve process shall maintain accurate records of all tests, grades and testing procedures. Training school records shall be maintained in accordance with the provisions of these rules and §§ 42.1-67 through 42.1-91 of the Code of Virginia.

§ 10. § 4.2. First aid requirement.

The school director shall be required to insure that each officer has a valid first aid card approved by the American Red Cross or by the State of Virginia EMT Program.

§ 11. § 4.3. Effective date.

These rules shall be effective on and after January 1, 1984 July 1, 1987, and until amended or rescinded.

§ 13.1. § 4.4. Adopted: July 12, 1973.

Amended: July 6, 1983.

* * * * *

Title of Regulation: VR 240-01-11. Rules Relating to Compulsory Minimum Training Standards for Noncustodial Employees of the Department of Corrections.

Statutory Authority: § 9-170 of the Code of Virginia.

Public Hearing Date: April 1, 1987 - 9 a.m.
(See Calendar of Events section for additional information)

Summary:

The proposed amendments to the Rules Relating to Compulsory Minimum Training Standards for Noncustodial Employees of the Department of Corrections are submitted in accordance with § 9-6.14:7.1 of the Code of Virginia.

These amendments are being proposed pursuant to the regulation-issuing authority granted to the Criminal Justice Services Board by §§ 18.2-308(5), 19.1-81.2, 53.1-29 and 9-170 of the Code of Virginia.

The Rules Relating to Compulsory Minimum Training Standards for Noncustodial Employees are being evaluated according to our cyclical review process. There will be some administrative changes which will include amending the time requirement to complete training and the training recertification cycle.

VR 240-01-11. Rules Relating to Compulsory Minimum Training Standards for Noncustodial Employees of the Department of Corrections.

Pursuant to the provisions of §§ 18.2-308(5), 19.2-81.2, 9-170 and 53.1-29 of the Code of Virginia, the Department of Criminal Justice Services Board hereby promulgates the following rules for compulsory minimum training standards for noncustodial employees of the Department of Corrections.

§ 1-0 § 1. Definitions.

Proposed Regulations

The following words and terms, when used in these regulations, shall have the following meaning, unless the context clearly indicates otherwise.

D. "Approved training school" means a ~~non-custodial employees training school~~ training school which provides instruction of at least the minimum training standards as mandated by the board and has been approved by the department for the specific purpose of training criminal justice personnel.

A. "Board" means the Criminal Justice Services Board.

B. "Department" means the Department of Criminal Justice Services.

C. "Director" means the chief administrative officer of the department.

"Noncustodial employee" includes those employees specifically designated by the director of the Department of Corrections who, by their appointment, must carry a weapon.

E. "School director" means the chief administrative officer of an approved training school.

~~§ 2-0~~ § 2. Compulsory minimum training standards for noncustodial employees.

Pursuant to the provisions of §§ 18.2-308 (5) , 19.2-81.2, 9-170 and 53.1-29 of the Code of Virginia, the ~~Department board~~ establishes the following as the compulsory minimum training standards for noncustodial employees of the Department of Corrections:

	<u>Hours</u>
I. 1. General	1
A. a. Orientation	
B. b. Evaluation	
II. 2. Skills	4
A. a. Firearms (Four hours classroom plus range firing)	
III. 3. Legal Matters	3
A. a. Corrections and Related Law	1
B. b. Legal Responsibility and Authority of Employees	2
..... TOTAL 8 plus range	

~~§ 3-0~~ § 3. Applicability.

Every person employed in a noncustodial position who

by appointment to that position has been designated by the Secretary of Public Safety or the Director of the Department of Corrections to carry a weapon must meet the compulsory minimum training standards herein established.

~~§ 4-0~~ § 4. Time required for completion of training.

A. Every noncustodial employee, so designated, shall not carry a weapon until the compulsory minimum training standards as set forth in § 2. ~~0~~ of these regulations have been satisfactorily completed.

B. Every ~~noncustodial~~ employee so designated shall complete ~~Firearms~~ Recertification as set forth in Section ~~8-0~~ within 24 months of the effective date of these regulations or within 24 months of the date of satisfactory completion of the compulsory minimum training standards for non-custodial employees. Every noncustodial employee, so designated, shall satisfactorily complete the compulsory minimum training standards for noncustodial employees within 120 days of assuming a position which is designated as a noncustodial position.

~~§ 5-0~~ § 5. How compulsory minimum training standards may be attained.

A. The compulsory minimum training standards shall be attained by attending and satisfactorily completing an approved training school.

B. Noncustodial employees attending an approved training school are required to attend all classes and should not be placed on duty or on call except in cases of emergency.

~~§ 6-0~~ § 6. Approved training schools.

A. Noncustodial employees training schools must be approved by the department prior to the first scheduled class. Approval is requested by making application to the director on forms provided by the department. The director may approve those schools which on the basis of curricula, instructors, facilities, and examinations, provide the required minimum training. One application for all mandated training shall be submitted prior to the beginning of each fiscal year. A curriculum listing the subject matter, instructors, dates and times for the entire proposed training session shall be submitted to the department 30 days prior to the beginning of each proposed session. An exemption to the 30 day requirement may be waived for good cause shown by the school director.

B. Each school director will be required to maintain a current file of all current lesson plans and supporting material for each subject contained in the compulsory minimum training standards.

C. Schools which are approved will be subject to inspection and review by the director ~~and~~ or staff, or

Proposed Regulations

both .

D. The ~~Director~~ department may suspend the approval of an approved training school upon written notice, which shall contain the reason(s) upon which the suspension is based, to the school's director. The school's director may request a hearing before the ~~board~~ director or his designee . The request shall be in writing and ~~must~~ shall be received by the department within 15 days of the date of the notice of suspension.

E. The ~~Director~~ department may revoke the approval of an approved training school upon written notice, which shall contain the reason(s) upon which the revocation is based, to the school's director. The school's director may request a hearing before the ~~Board~~ director or his designee . The request shall be in writing and ~~must~~ shall be received by the department within 15 days of the date of the notice of revocation.

~~§ 7.0.~~ § 7. Grading.

A. All written examinations shall include a minimum of two questions for each hour of mandatory instruction. This requirement likewise includes the classroom instruction on performance-oriented subject matter.

B. All noncustodial employees ~~must~~ shall attain a minimum grade of 70% in each grading category to satisfactorily complete the compulsory minimum training standards. Any noncustodial employee who fails to attain the minimum 70% in any grading category will be required to take all subjects comprising that grading category in a subsequent approved training school. A noncustodial employee may be tested and retested as may be necessary within the time limits of § 4. 0 of these rules and each academy's written policy. A noncustodial employee shall not be certified as having complied with the compulsory minimum training standards unless all applicable requirements have been met.

C. Approved noncustodial employee training schools shall maintain accurate records of all test, grades and testing procedures. Academy training records must be maintained in accordance with the provisions of these rules and §§ 42.176 through 42.1-91 of the Code of Virginia.

~~§ 8.0.~~ § 8. Firearms.

The following firearms training will be applicable to noncustodial employees of the Department of Corrections who have been designated to carry a weapon:

~~A. 1.~~ 1. Classroom - ~~.38~~ caliber revolver, 12 gauge Service handgun, shotgun and special weapons (four hours).

1- a. Nonmenclature and Care of Weapons

2- b. Safety

3- c. Legal Aspects of Firearms Use

4- d. Principles of Shooting

5- e. Special Weapons (as utilized by the Department of Corrections) - Familiarization, no firing

B. 2. Range.

1- a. ~~.38~~ Caliber hand weapon Service Handgun .

a: (1) combat course (two-handed)
60 rounds
Silhouette Target

Qualification - 70% (5 points per hit on silhouette)

(Minimum 210 points out of a possible 300 points)

b: (2) Course.

7 yards - two handed crouch - 6 rounds (one on whistle)
7 yards - two handed crouch - 6 rounds (two on whistle)
7 yards - two handed crouch - 12 rounds (30 seconds from whistle)
15 yards - two handed point shoulder - 6 rounds (one on whistle)
15 yards - two handed point shoulder - 6 rounds (two on whistle)
15 yards - two handed point shoulder - 12 rounds (30 seconds from whistle)
25 yards - two handed point shoulder - 6 rounds (10 seconds/right hand)
25 yards - two handed point shoulder - 6 rounds (10 seconds/left hand)

Qualification 70% using 5 points/hit on a silhouette target.

2- b. Shotgun 12 Gauge

a: (1) 10 rounds
Bobber Target
No. 4 Buck

Qualification - 80% (10 points per hit on bobber target)

25 yards - shoulder level position - 10 rounds

Qualification 80% - 10 points/hit on bobber target.

§ 9. Recertification.

A. All noncustodial employees shall recertify every other calendar year by satisfactorily completing the firearms training set forth in § 8 of these rules. The specific time frame for compliance by currently certified noncustodial

Proposed Regulations

employees is enumerated in paragraphs C and D below. Any noncustodial employee who does not comply as set forth below in paragraphs C and D shall be subject to the provisions of § 9-181 of the Code of Virginia.

§ ~~12-0~~. § 13. Adopted: October 12, 1979

Amended: September 6, 1983

B. All noncustodial employees shall be required to qualify annually with service handgun and shotgun in accordance with § 8 of these Regulations.

C. All noncustodial employees whose recertification due date is in 1987 shall comply with the recertification requirements by December 31, 1987, and thereafter by December 31 of every other calendar year.

D. All noncustodial employees whose recertification due date is in 1988 shall comply with the recertification requirements by December 31, 1988, and thereafter by December 31 of every other calendar year.

§ ~~9-0~~. § 10. Failure to comply with rules and regulations.

A. Noncustodial employees attending an approved training school shall comply with the rules and regulations promulgated by the department and any other rules and regulations within the authority of the school director. The director of the school shall be responsible for enforcement of all rules and regulations established to govern the conduct of attendees. If the school director considers a violation of the rules and regulations detrimental to the welfare of the school, the school director may expel the noncustodial employee from the school. Consistent with Department of Corrections' policy, notification of such action shall immediately be reported in writing to the supervisor of the individual expelled and the appropriate Department of Corrections Division Director.

§ ~~10-0~~. § 11. Administrative requirements.

A. Reports will be required from the school director on forms approved by the department and at such times as designated by the director.

B. The school director shall, within 30 days upon completion of an approved training school, comply with the following:

1. Submit to the department a roster containing the names of those noncustodial employees who have satisfactorily completed all training requirements and, if applicable, a revised curriculum for the training session.

C. The school director shall furnish each instructor with a complete set of course resumes and objectives for the assigned subject matter.

§ ~~11-0~~. § 12. Effective date.

These rules shall be effective on and after January 1, 1984, July 1, 1987, and until amended or rescinded.

FINAL REGULATIONS

For information concerning Final Regulations, see information page.

Symbol Key

Roman type indicates existing text of regulations. *Italic type* indicates new text. Language which has been stricken indicates text to be deleted. [Bracketed language] indicates a substantial change from the proposed text of the regulations.

BOARD OF EDUCATION

Title of Regulation: VR 270-01-0006, Regulations Governing Pupil Transportation Including Minimum Standards For School Buses in Virginia.

Statutory Authority: § 22.1-16 of the Code of Virginia.

Effective Date: February 18, 1987

Summary:

This regulation is summarized as follows:

Part I contains definitions of words and terms used in the regulations.

Part II contains general regulations pertaining to the operational procedures and requirement for school buses.

Part III contains regulations for distribution of the regular pupil transportation fund. These regulations govern funds distributed to school divisions operating approved school bus programs.

Part IV contains regulations for reimbursement to eligible school divisions from the special pupil transportation fund. These regulations govern funds distributed to those school divisions providing transportation for pupils on public transportation systems (transit).

Part V contains requirements for school bus drivers. The requirements relate to the employment of such persons to operate a school bus. There is a change, which prescribes the scope of the required physical examination, in the regulation governing physical requirements for school bus drivers. The remaining requirements contain no changes.

Part VI contains minimum standards for school buses in Virginia. School buses sold by any dealer or manufacturer to a Virginia school division must conform to these standards/specifications on body and chassis construction and design.

VR 270-01-0006, Regulations Governing Pupil Transportation Including Minimum Standards For School Buses in Virginia.

PART I. DEFINITIONS.

§ 1.1. The following words and terms, when used in these regulations, shall have the following meaning, unless the context clearly indicates otherwise:

"Color-black" means federal standard No. 595, black enamel #17038.

"Color-yellow" means national school bus yellow SBMI color standard 008.

"Emergency equipment compartment" means an approved compartment which is labeled to indicate what is contained therein. If equipped with a lock, a buzzer shall be activated when locked or be connected through ignition interlock to prevent bus from starting.

"School bus" means any motor vehicle, except a commercial bus, station wagon, automobile, or truck which is designed and used primarily for the transportation of pupils to and from public school, which is painted yellow with the words "School Bus" in black letters of specified size on front and rear, and which is equipped with the required warning devices.

"School bus metropolitan type" means a body installed upon a chassis, with the engine mounted in the front, midship, or rear, with a gross weight rating of more than 10,000 pounds, designed for carrying more than 10 persons. The engine may be behind the windshield and beside the driver's seat; it may be at the rear of the bus, behind the rear wheels, or midship between the front and rear axles. The entrance door is ahead of the front wheels.

"School Bus - Type I" means conventional and metropolitan type buses that range from 16 to 84 passenger capacity.

"School Bus - Type II" means small van conversion and cutaway van type buses that range from 4 to 15 passenger capacity.

"Undercoating modified test procedure" means test panels are to be prepared in accordance with paragraph 4.6.12 of TT-C-520a with modified procedure requiring that test be made on a 48-hour air cured film at thickness recommended by compound manufacturer.

PUPIL TRANSPORTATION

I. General regulations

II. Distribution of regular pupil transportation fund

III. Reimbursement from special pupil transportation fund

IV. Requirements for school bus drivers

V. Minimum standards for school buses in Virginia

PART II. GENERAL REGULATIONS.

I. General Regulations

1. § 2.1. The greatest care shall be exercised at all times in the transportation of school children.

2. § 2.2. A school bus transporting school pupils shall be operated at a safe speed not in excess of 35 miles per hour, or minimum legal speed allowable; except, on interstate highways and when no stops are made to pick up or discharge pupils between the point of origin and the point of destination the speed shall not be in excess of 45 miles per hour.

3. § 2.3. The number of pupils who may ride a school bus shall be determined by the total number who can be seated and who, for short distances, can stand in the aisle back of the driver's seat. Pupils shall not be permitted to stand by the side of the driver, in the stepwell, or between the driver and the entrance door.

4. § 2.4. Written contracts shall be made by the school board, on a form to be prescribed by the Superintendent of Public Instruction, with all regular school bus drivers before they begin their duties. Such contracts shall be signed in duplicate, each party holding a copy thereof. Substitute drivers shall meet the requirements prescribed for regular bus drivers and shall be approved and paid by the local school board.

5. § 2.5. The school bus driver shall open and close the entrance door and keep it securely closed while the bus is in motion. This responsibility shall not be delegated to any other person.

6. § 2.6. Every school bus operated at public expense for the purpose of transporting school children shall be equipped with traffic warning devices of the type prescribed in the standards and specifications of the Board of Education. The warning lights shall indicate when the bus is about to stop, is stopped, and when it is loading or discharging children. The warning lights shall be in operation for a distance of not less than 100 feet before the bus stops, if the lawful speed limit is less than 35 miles per hour, and for a distance of at least 200 feet before the bus stops if the lawful speed limit is 35 miles per hour or more. When the school bus is equipped with a warning sign, the sign shall be extended when, and only when, the bus is stopped to load or discharge children.

7. § 2.7. When loading or discharging pupils on the highway, stops shall be made in the right-hand lane and shall be made only at designated points where the bus can

be clearly seen for a safe distance from both directions. While stopped, the driver shall keep the school bus warning devices in operation to warn approaching traffic to stop and allow pupils to cross the highway safely. Pupils who must cross the road shall be required to cross in front of the bus. They shall be required to walk to a point 10 feet or more in front of the bus, stop before reaching a position in line with the left side of the bus, and await a signal from the bus driver to start across the highway.

On dual highways divided by a physical barrier or unpaved area, buses shall be routed so that pupils will be picked up and discharged on the side of the road on which they live.

8. § 2.8. Persons operating a school bus equipped with a safety lap belt assembly shall wear it while school children are being transported. (For statutory provision, see Section § 46.1-287.2 of the Code of Virginia)

9. § 2.9. Pupils riding in Type II school buses equipped with passenger restraint belts shall wear them while the bus is in motion.

10. § 2.10. Pupils who ride school buses shall receive at least twice annually, instruction in rider safety and shall practice emergency exist drills.

11. § 2.11. Every vehicle used in transporting school pupils and personnel at public expense shall be covered by insurance that will provide financial assistance to pupils and personnel in case of injuries or deaths resulting from an accident. Insurance is required by law in the following minimum amounts:

- 1. Public liability or bodily injury, including death:
 - a. per person, or lower limit \$50,000.00
 - b. per accident, or upper limit \$200,000.00
- 2. Property damage liability \$10,000.00
- 3. Uninsured motorists coverage - equal to aforesaid limits of liability
- 4. Medical payment-per person \$1,000.00

(As to school bus insurance, see Sections §§ 22.1-188 to 22.1-198 Virginia School Laws of the Code of Virginia)

12. § 2.12 School buses shall be inspected carefully by competent mechanics immediately before being used in the fall and at least once every 30 operating days or every 1,500 miles traveled, which ever whichever occurs first. The inspections shall be recorded on a form prescribed by the Board of Education. If the inspections are not made in a shop operated by the school board, the school board shall designate one or more mechanics or centers to make the inspections and require a copy of the

Final Regulations

results of the inspection to be furnished to the division superintendent.

13. § 2.13. A written report, on forms furnished by the Board of Education, of any accidents involving school buses, pupils, and personnel who ride school buses (including injury or death while crossing the road, waiting at bus stops, etc.) shall be sent to the state Supervisor of Pupil Transportation by the division superintendent within five days from the date of the accident. The report shall give the apparent cause of the accident, the extent of injuries to pupils or others, and the amount of property damage.

14. § 2.14. All school buses in operation shall be carefully scheduled on routes to schools. The schedule shall show the time the bus starts in the morning, the time it leaves each point at which pupils are taken on, and the time of arrival at school. It shall also show the bus's odometer reading at the beginning of the route where the first pupil is picked up, where other stops are made, and the reading upon arrival at school. One copy of such schedule shall be kept in the bus and one copy shall be kept in the office of the division superintendent of schools.

15. § 2.15. School bus routes shall be reviewed at least once each year for safety hazards, fuel conservation, and to assure maximum use of buses.

16. § 2.16. School buses shall stop, as required by law, at railway grade crossings. The bus driver shall open the entrance door of the bus and determine when it is safe for the vehicle to cross the railroad tracks. The entrance door shall be closed when the bus is in motion. No stop need be made at any grade crossing where traffic is directed by a police officer or a green traffic-control signal.

17. § 2.17. School boards shall require that a report on the number of pupils transported and miles traveled be made by all school bus drivers to principals or other designated school officials.

18. § 2.18. A record showing maintenance performed and operational cost shall be maintained for each publicly owned bus.

19. § 2.19. Local school boards shall adopt policies, consistent with provisions of Virginia School Laws, before establishing a practice of collecting transportation fees from pupils or receiving contributions from other sources for activities sponsored by schools under their authority. No pupil whose parent or guardian is financially unable to pay the ~~prorata~~ *pro rata* cost of the trip may be denied the opportunity to participate.

20. § 2.20. The lettered identification and traffic warning lights on the front and rear of school buses shall be covered with opaque detachable material when they are used for purposes other than to transport pupils on regular routes to and from school, or on special trips to

participate in contests of various kinds, and for supplementary education purposes. This does not apply when the bus is being used to transport elderly or mentally or physically handicapped persons. (See § 22.1-183 of the Code of Virginia)

21. § 2.21. The use of posters, stickers, or advertising material of any kind is prohibited in or on school buses.

22. § 2.22. No object shall be placed in the bus that will restrict the passage to the entrance or emergency doors.

PART III. DISTRIBUTION OF REGULAR PUPIL TRANSPORTATION FUND.

II. Distribution of Regular Pupil Transportation Fund

§ 3.1. Pupil transportation funds for the local school divisions of the state are distributed on the following bases:

1. A. Forty percent of the fund is distributed on the basis of an equal amount for each mile traveled transporting pupils to and from the public schools in school buses meeting the standards and specifications of the Board of Education.

Average daily mileage is computed for each bus from the point where the first pupil is picked up in the morning to the point where the last pupil is discharged in the afternoon, including regularly scheduled trips between schools, but excluding all special trips and excursions. If the length of a bus route is changed during the year, the average of the daily mileage shall be used.

2. B. Forty percent of the fund is distributed on the basis of an equal amount for each pupil transported in average daily attendance (average number transported daily) in school buses meeting the standards and specifications of the Board of Education.

3. C. Twenty percent of the fund is distributed on the basis of an equal amount for each school bus, in daily use during the current year, which meets the standards and specifications of the Board of Education and which is operated in the transportation of pupils a minimum of 12 miles per school day; provided, that the minimum of 12 miles shall not be applicable to small buses with a pupil capacity of 15 or fewer pupils.

4. D. No reimbursement shall be made for any bus which does not pass the regular inspections required by state law, regulations of the Board of Education and the annual inspection by personnel of the Department of Education.

5. E. No reimbursement shall be made for buses or miles traveled unless the bus transports pupils both from home to school and from school to home.

6. F. School divisions shall be eligible for reimbursement for transportation of pupils in kindergarten through grade 12 and for handicapped children age 2 to 21 as defined in § 22.1-213 of the Code of Virginia, paragraph 1.

7. G. No reimbursement shall be made for pupils or miles traveled if transportation assistance is received from other state or federal sources.

8. H. Reimbursement shall be allowed for transporting pupils from an adjoining school division only when such arrangement has been mutually agreed upon by the school boards involved.

9. I. No school division shall receive reimbursement in excess of the amount actually expended for transportation of pupils to and from the public school, exclusive of capital outlay, replacement of buses, special trips, and the gas tax refund during the preceding year.

(a) 1. In making the distribution, calculations shall be based on the number of pupils and miles for the preceding school year, except in the case of the number of buses for which current figures shall be used.

(b) 2. The computation for reimbursement of school divisions during their first year of school bus operation shall be based on the number of pupils and miles for the current year.

10. J. Reimbursement shall be based upon the actual number of school days pupils are transported during the regular school session.

11. K. Before any reimbursement for the transportation of pupils to and from public schools is made to a school division, a report must be submitted by the division superintendent to the Superintendent of Public Instruction certifying the correct net operating cost of transporting pupils (actual expenditure, less gas tax refunds), the average number of pupils transported daily, and the average daily mileage of each bus meeting the standards and specifications of the Board of Education used in transporting pupils for the preceding school year. Such report shall also include a statement covering the type of bus, letter identification, color, make and model of the body and chassis, an inventory of all safety equipment, and indicating that the bus meets inspection requirements. Information on the evaluation of the pupil transportation program also shall be furnished annually on forms provided by the State Department of Education.

PART IV. REIMBURSEMENT FROM SPECIAL PUPIL TRANSPORTATION FUND.

III. Reimbursement from Special Pupil Transportation Fund

1. § 4.1. Funds shall be available to school divisions for

eligible pupils transported through contracts with public transportation systems (transit) for which other state aid is not available.

2. § 4.2. Local school boards shall be eligible for the same percentage of reimbursement of their expenditure for the transportation of eligible public school pupils on public transportation systems (transit) when part of the expense is borne by the pupil or parent.

3. § 4.3. Reimbursement shall be based on the actual number of pupils being transported, as certified by the division superintendent. Application for reimbursement shall be submitted on forms furnished by the Department of Education.

4. § 4.4. Transportation provided for pupils eligible for reimbursement under contracts with public transportation systems shall meet those regulations established for commercial vehicles by the State Corporation Commission and other applicable state and federal regulations, or such vehicles shall meet all standards, rules, and regulations established by the Board of Education for public school bus systems. School divisions will not be eligible to include pupils transported in vehicles commonly referred to or licensed as passenger cars, cabs, and taxis.

5. § 4.5. The local school board shall make provisions when such transportation is provided that each vehicle be operated and maintained so as to insure safe service to the pupils. Insurance shall be provided by the owner of such vehicle(s) in amounts not less than those provided for in § 22.1-190 of the Code of Virginia. Evidence of such insurance shall be on file in the school board office.

6. § 4.6. Reimbursement shall be available for pupils who are transported to and from public schools for the regular school session and will not be available for special trips and extra-curricular activities.

7. § 4.7. In no case, shall reimbursement exceed local school board expenditures for transporting such pupils.

8. § 4.8. The reimbursement shall be distributed on the following basis:

1. For counties or towns: The amount of reimbursement shall not exceed the average per pupil reimbursement for the previous school year for each pupil transported by county or town school divisions that operate a school bus system.

2. For cities: The amount of reimbursement shall not exceed the average per pupil reimbursement for the previous school year for each pupil transported by city school divisions that operate a school bus system.

NOTE: § 4.9. The average per pupil reimbursement shall be determined by dividing the total reimbursement paid to all divisions in the county-town category or the city category by the total average daily attendance of pupils

Final Regulations

transported in each respective category.

9. § 4.10. In the event sufficient funds are not available to reimburse for the total number of pupils eligible, this fund shall be distributed on pro rata basis.

PART V. REQUIREMENTS FOR SCHOOL BUS DRIVERS.

IV. Requirements for School Bus Drivers

1. § 5.1. No school board shall hire, employ, or enter into any agreement with any person for the purposes of operating a school bus transporting pupils unless the person shall:

A. Have a physical examination of a scope prescribed by the Board of Education with the advice of the Medical Society of Virginia and furnish a form prescribed by the Board of Education showing the results of such examination.

1. No person shall drive a school bus unless he is physically qualified to do so and has submitted a School Bus Driver's Application For Physician's Certificate signed by the applicant and the doctor for the applicable employment period.

2. A person is physically qualified to drive a school bus if he:

a. Has no loss of a foot, a leg, a hand, or an arm which interferes with the ability to control and safely drive a school bus;

b. Has no impairment of the use of a foot, a leg, a hand, fingers, or an arm, and no other structural defect or limitation likely to interfere with his ability to control and safely drive a school bus;

c. Has no known medical history or clinical diagnosis of diabetes mellitus currently requiring insulin for control likely to interfere with his ability to control and safely drive a school bus;

d. Has no current clinical diagnosis of myocardial infarction, angina pectoris, coronary insufficiency, thrombosis, or any other cardiovascular disease of a variety known to be accompanied by syncope, dyspnea, collapse, or congestive cardiac failure;

e. Has no known medical history or clinical diagnosis of a respiratory dysfunction likely to interfere with his ability to control and drive a school bus safely;

f. Has no known current clinical diagnosis of high blood pressure likely to interfere with his ability to operate a school bus safely;

g. Has no known medical history or clinical

diagnosis of rheumatic, arthritic, orthopedic, muscular, neuromuscular, or vascular disease which would interfere with his ability to control and operate a school bus safely;

h. Has no known medical history or clinical diagnosis of epilepsy or any other condition which is likely to cause loss of consciousness or any loss of ability to control a school bus;

i. Has no known mental, nervous, organic, or functional disease or psychiatric disorder likely to interfere with his ability to drive a school bus safely;

j. Has both distant and near visual acuity of at least 20/40 (Snellen) in each eye with or without corrective lenses, and field of vision of at least 70 degrees in the horizontal meridian in each eye, and the ability to recognize the colors of traffic signals and devices showing standard red, green, and amber;

k. First perceives a forced-whispered voice in the better ear at not less than five feet with or without the use of a hearing aid or, if tested by use of an audiometric device, does not have an average hearing loss in the better ear greater than 40 decibels at 500 Hz, 1,000 Hz, and 2,000 Hz with or without a hearing aid when the audiometric device is calibrated to American National Standard (formerly ASA Standard) Z24.5-1951; and

l. Does not use an amphetamine, narcotic, or any habit-forming drug without appropriate physician supervision.

B. Furnish a statement or copy of records from the Division Department of Motor Vehicles showing that the person, within the preceding five years, has not been convicted of a charge of driving under the influence of intoxicating liquors or drugs, convicted of a felony, or assigned to any alcohol safety action program or driver alcohol rehabilitation program pursuant to § 18.2-271.1 of the Code of Virginia or, within the preceding 12 months, has been convicted of two or more moving traffic violations or has been required to attend a driver improvement clinic by the Commissioner of the Division Department of Motor Vehicles pursuant to § 46.1-514.11 of the Code of Virginia .

C. Furnish a statement signed by two reputable residents of the school division that the person is of good moral character.

D. Exhibit a license showing the person has successfully undertaken the examination prescribed by § 46.1-370 of the Code of Virginia .

E. Has reached the age of 17 and has not reached the age of 70 on the first day of the school year. (§§ 46.1-169

and 22.1-178 of the Code of Virginia, and Exemption of Hazardous Occupations Order No. 2, U.S. Department of Labor)

2. § 5.2. Any school board may require successful completion of the American Red Cross first-aid course as a condition to employment to operate a school bus transporting pupils.

3. § 5.3. The documents required pursuant to paragraphs §§ 5.1 A. and 5.1 B. of these regulations shall be furnished annually within 30 days prior to the anniversary date of the employment to operate a school bus. A school board may require the statement set forth in paragraph § 5.1. C. to be furnished periodically.

4. § 5.4. The documents required pursuant to this section shall be filed with, and made a part of, the records of the school board employing such person as a school bus operator.

5. § 5.5. The State Department of Education shall furnish to the division superintendents the necessary forms for applicants to use to provide the information required by this section. Insofar as practicable, such forms shall be designed to limit paperwork, avoid the possibility of mistakes, and furnish all parties involved with a complete and accurate record of the information required. (§ 22.1-178 of the Code of Virginia)

6. § 5.6. As a condition to employment, every school bus driver shall submit a certificate signed by a licensed physician stating that the employee appears free of communicable tuberculosis. The school board may require the submission of such certificates annually, or at such intervals as it deems appropriate, as a condition to continued employment. (§ 22.1-300 of the Code of Virginia)

7. § 5.7. No person shall drive a school bus upon a highway in this state the Commonwealth unless such person has had a reasonable amount of experience in driving motor vehicles, and shall have passed a special examination indicating the ability to operate a school bus without endangering the safety of pupil passengers and persons using the highway. To prepare for the examination required by this section, any person holding a valid operator's license issued under the provisions of § 46.1-369 of the Code of Virginia , may operate, under the direct supervision of a person holding a valid school bus license endorsement, a school bus which contains no pupil passengers. The Division Department of Motor Vehicles shall adopt such rules and regulations to provide for the examination of persons desiring to qualify to drive such buses in this state and for the granting of permits to qualified applicants. (§ 46.1-370 of the Code of Virginia)

8. § 5.8. Every driver of a school bus shall receive instruction before being allowed to operate a bus transporting children. This instruction shall include classroom, demonstration, and behind-the-wheel instruction. The length of the instructional program shall be

determined by the experience of the applicant.

A. Classroom instruction shall include, but not be limited to, the following:

1. Responsibilities of the driver, pupil, parent, principal, and superintendent;
2. Applicable laws and regulations;
3. Local reports and policies governing pupil transportation;
4. Proper driving practices; and
5. Planning for emergencies.

B. Demonstration instruction:

1. Pre-trip instruction;
2. Care of school bus;
3. Emergency evacuation drills;
4. Proper driving practices; and
5. Defensive driving techniques.

C. Behind-the-wheel instruction - under supervision of trainer:

1. Operate empty bus until proficient; and
2. Operate loaded bus - (minimum-complete route for two days).

The superintendent or his designee shall maintain a record showing that the applicant has completed the training and has been approved to operate a school bus.

9. § 5.9. In-service training shall be devoted to improving the skills, attitudes, and knowledge of all school bus drivers. At least two hours of in-service training shall be provided the first half of the school year and at least two hours during the second half.

10. § 5.10. The driver of a school bus shall be under the general direction and control of the superintendent and school board and/or the supervisor of transportation, and shall also be accountable to the principal of the school to which transportation is provided.

11. § 5.11. The driver of a school bus shall perform a daily pretrip safety inspection of the vehicle.

12. § 5.12. The driver of a school bus shall report to the principal misconduct of pupils on the school bus or at waiting stations or stops on the way to or from school and shall be guided by the principal's advice and direction, subject to the regulations of the school board. When it

Final Regulations

becomes necessary for the driver to correct pupils, the driver shall stop at the nearest and safest place and restore order before proceeding. In no case shall a driver put a pupil off the bus between home and school as a disciplinary measure.

PART VI. MINIMUM STANDARDS FOR SCHOOL BUSES IN VIRGINIA.

V. Minimum Standards for School Buses in Virginia

Article 1. General Requirements.

1. "School Bus" is defined as any motor vehicle, except a commercial bus, station wagon, automobile, or truck, which is designed and used primarily for the transportation of pupils to and from public school, which is painted yellow with the words "School Bus" in black letters of specified size on front and rear, and which is equipped with the required warning devices.

2. § 6.1. The responsibility for compliance with these school bus specifications rests with dealers and manufacturers. If any dealer or manufacturer sells school bus vehicles which do not conform to any or all of these specifications, a general notice will be sent to all school divisions advising that equipment supplied by such dealer or manufacturer will be disapproved for school transportation until further notice. A copy of the notice will be sent to the dealer or manufacturer and will remain in effect until full compliance by the dealer or manufacturer is assured.

Dealers and manufacturers shall be given at least thirty days' notice of any changes in the specifications.

3. § 6.2. Minimum standards are applicable to all purchases of school bus equipment, new or used.

4. § 6.3. Buses must conform to the specifications relative to construction and design effective at the date of purchase. Any variation from the specifications, in the form of additional equipment or changes in style of equipment, without prior approval of the Supervisor of Pupil Transportation is prohibited.

5. § 6.4. The Superintendent of Pupil Instruction is authorized to make such adjustments from time to time in technical specifications as are deemed necessary in the interest of safety and efficiency in school bus operation. Authority is also granted for conducting investigations and field tests of certain pertinent vehicle components.

6. § 6.5. All publicly owned, part publicly owned, or contract school buses, transporting pupils to and from public school, shall be painted a uniform color, national school bus yellow, and shall be identified and equipped as outlined in the standards and specifications.

7. § 6.6. Each school bus shall be given a number starting at one and continuing consecutively to the highest number which will be the total number of buses used. The number shall conform with that contained in the school bus inventory and record report. When a bus is sold or discarded, the number assigned to it should be given to a new bus. The numbers should remain consecutive with as few unassigned numbers as possible.

8. § 6.7. Type I buses of conventional and metropolitan type range from 16 to 84 passenger capacity. Type II buses of small van conversion and cutaway van type range from 4 to 15 passenger capacity.

Article 2. The Bus Chassis.

§ 6.8. Air cleaner.

Bus shall be equipped with adequate oil-bath, dry element, or equivalent air cleaner mounted outside the passenger compartment.

§ 6.9. Alternator.

Alternator with rectifier shall have minimum output of at least 65 amperes with charge at idle type (12-volt system), and shall be ventilated, voltage-controlled, and current-controlled. Dual belt drive shall be used.

Exception - Small vehicles below 20 passenger capacity.

Alternator with rectifier shall have minimum output of at least 60 amperes with 12-volt system and shall be ventilated, voltage-controlled, and current controlled.

§ 6.10. Axles (See table ; 1 page 200 for capacities)

1. A. Front axle or suspension shall be of sufficient capacity at ground to support a load which would be ten percent in excess of actual gross vehicle weight.

2. B. Rear axle shall be single speed, full-floating type. Rear axle or other type of suspension assembly shall have gross weight rating at ground equal to or exceeding that portion of total weight which is supported by rear-suspension assembly.

1. Exception - Type II vehicles.

Requirement for full-floating rear axle does not apply to small vehicles (conversion type) approved as school buses.

2. Exception - Metropolitan type vehicles.

1. a. Front axle shall be wide-track, heavy-duty, bus type and shall have gross weight rating at ground equal to or exceeding that portion of total load which is supported by front axle.

2. b. Rear axle shall be single speed, full-floating, heavy-duty, bus type and shall have gross weight rating at ground equal to or exceeding that portion of total load which is supported by rear axle.

§ 6.11. Battery.

1. A. Storage battery, as established by manufacturer's rating, shall be of sufficient capacity to handle starting, lights, signal devices, heating, and other electrical equipment.

2. B. No bus shall be equipped with a battery of less than 460 amperes cold cranking current at 0°F with 120 minutes reserve capacity at 80°F.

3. C. Battery shall be mounted in the engine compartment or in a body compartment in an adequate carrier and be readily accessible for servicing or removal. Annual chassis requirements will specify battery location for different types of chassis.

4. D. When battery is to be mounted outside of engine compartment, it may be temporarily mounted to chassis. Body company will permanently mount battery on sliding tray located in the left side of body skirt. Battery shall be connected with one-piece cables of sufficient length to allow tray to be pulled out for servicing. Cables shall be at least one gauge color coded, red positive-black ground.

§ 6.12. Brakes.

1. A. Four-wheel brakes, adequate at all times to control bus when fully loaded, shall be provided in accordance with Federal Motor Vehicle Safety Standards. (See table I, page 200)

2. B. Foot or service brakes shall meet Federal Motor Vehicle Safety Standard 105 for hydraulic brakes, and Standard 121 for air brakes except for deletion of anti-skid system on air brake models.

3. C. Chassis shall be equipped with auxiliary brakes capable of locking rear wheels, and capable of holding vehicle on any grade on which it is operated under any conditions of loading on a surface free from snow or ice. Operating controls of such auxiliary brakes shall be independent of operating controls of service brakes.

4. D. Chassis designed for any bus body shall be equipped with full compressed air brakes, split hydraulic vacuum actuated power, or assistor-type brakes.

a. 1. Such installation shall be made by authorized representative of chassis or brake manufacturer and shall conform to recommendation of that manufacturer.

b. 2. Hydraulic line pressure shall not exceed recommendation of chassis or brake manufacturer.

e. 3. Reservoir capacity shall be at least 1,650 cubic inches for full compressed air systems, and at least 1,000 cubic inches, or equivalent, for vacuum actuated systems.

d. 4. Buses having full compressed air systems shall be equipped with:

(1) a. At least two reservoirs for the service brake (or one vessel divided into two compartments connected in series) and one 1,000 inch reservoir for the auxiliary braking system;

(2) b. Safety valve mounted on the first reservoir to protect air brake system against excessive air pressure, and check valve mounted in optional location;

(3) c. Air gauge mounted on instrument panel to register air pressure in air brake system; (See instruments and instrument panel, page 207 § 6.27 A.8 of these regulations) and

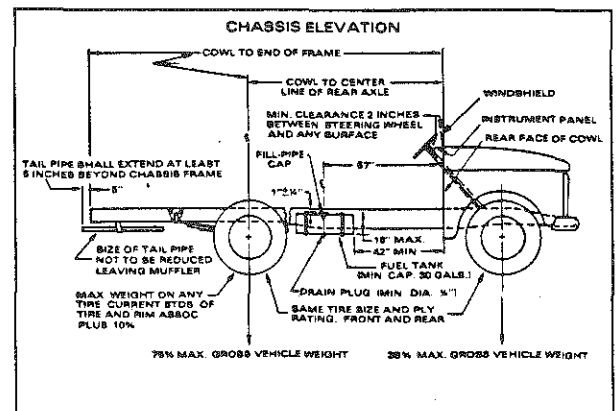
(4) d. Audible low pressure indicator to warn driver if air pressure in air brake system falls below 60 pounds per square inch.

e. 5. Buses having vacuum actuated systems shall be equipped with check valve located between source of supply and reservoir.

6. Exception - Type II vehicles.

Reserve vacuum tank not required.

Diagram 1.



§ 6.13. Bumper, front.

1. A. Front bumper shall be heavy-duty, channel steel at least seven inches in width with 3/16-inch thickness, painted black, and shall be furnished by chassis manufacturer as part of chassis.

Final Regulations

2. B. Front bumper must extend to outer edges of fenders at bumper top line (to assure maximum fender protection) and be of sufficient strength to permit pushing vehicle of equal gross weight without permanent distortion to bumper, chassis, or body.

C. Exception - Type II vehicles.

Bumper shall be manufacturer's standard painted black.

D. Exception - Metropolitan type vehicles.

Same as above, except that front bumper shall be furnished by body manufacturer.

§ 6.14. Clutch.

Torque capacity shall be equal to or greater than the engine torque output.

Passenger Capacity	Minimum Diameter
up to 16	11
16-54	12
64-76 gas	13
64-84 diesel	14

§ 6.15. Color.

1. A. Chassis, including wheels, and front bumper shall be black. *

2. B. Hood, cowl, and fenders shall be national school bus yellow. **

3. C. Grill shall be national school bus yellow, if painted; otherwise, it shall be chrome or anodized aluminum.

*Federal Standard No. 504, black enamel #17038. Color chips are available from General Services Administration, Business Service Center, Region 2, Seventh and D Streets, S.W., Washington, D.C. 20025

**Color chips are SBMI Color Standard 008.

§ 6.16. Drive shaft.

A. Drive shaft shall be protected by metal guard or guards to prevent it from whipping through floor or dropping to ground if broken.

B. Exception - Type II vehicles.

Standard does not apply to conversion vans.

§ 6.17. Electrical system.

1. Battery - see page 203 § 6.11.

2. Alternator - see page 203 § 6.9.

3. Lights and signals - see page 207 § 6.28.

4. Wiring - see page 225 § 6.91.

5. Chassis manufacturer shall install readily accessible electrical terminal so that body and chassis electrical load can be recorded through chassis ammeter or voltmeter without dismantling or disassembling chassis component. Chassis wiring system to terminal shall have minimum 100-ampere capacity. Chassis ammeter or voltmeter and wiring shall be compatible with generating capacity, and ammeter shall be capable of recording continuous draw of 100 amperes.

6. Each chassis circuit shall be color coded and a diagram of the circuits shall be included with the chassis.

§ 6.18. Engine.

The engine shall be of the internal-combustion, four-stroke cycle type, having not less than six cylinders. Thermostats with not less than 175° - 195°F rating shall be provided. Engine shall be equipped with a crankcase ventilating system to meet federal requirements. (See table 1 page 209)

§ 6.19. Exhaust system.

1. Exhaust pipe, muffler, and tail pipe shall be outside bus body attached to chassis.

2. Tail pipe shall be constructed of seamless or electrically welded tubing of 16-gauge steel or equivalent, and shall extend at least five inches beyond chassis frame. (See tail pipe, page 223 § 6.82.)

3. Size of tail pipe shall not be reduced after it leaves muffler.

4. Exhaust system shall be properly insulated from fuel tank and tank connections by securely attached metal shield at any point where it is 12 inches or less from tank or tank connections.

5. Muffler shall be constructed of corrosion-resistant material.

6. Exception - Vehicles below 20 passenger.

Tail pipe may exit behind rear wheel.

§ 6.20. Fenders, front.

1. Total spread of outer edges of front fenders, measured at fender line, shall exceed total spread of front tires when front wheels are in straight-ahead

position.

2. Front fenders shall be properly braced and free from any body attachment.

3. Chassis sheet metal shall not extend beyond rear face of cowl.

§ 6.21. Frame.

1. Frame or equivalent shall be of such design as to correspond at least to standard practice for trucks of same general load characteristics which are used for severe service.

2. When frame side members are used, they shall be of one-piece construction. If frame side members are extended, such extension shall be designed and furnished by chassis manufacturer with a guarantee, and installation shall be made by either chassis or body manufacturer and guaranteed by company making installation. Extensions of frame lengths are permissible only when such alterations are behind rear hanger of rear spring, and shall not be for purpose of extending wheel base.

3. Holes in top or bottom flanges of frame side rails shall not be permitted except as provided in original chassis frame. There shall be no welding to frame side rails except by chassis or body manufacturer.

§ 6.22 Frame length - (See Body Sizes, page 210 § 6.44)

§ 6.23. Fuel tank.

1. Fuel tank equipped with protective cage to meet FMVSS 301 shall have minimum capacity of 30 gallons, and be mounted directly on right side of chassis frame, filled and vented entirely outside body.

2. Fuel filter with replaceable element shall be installed between fuel tank and carburetor.

3. Fuel tank, fittings or lines, shall not extend above top of chassis frame rail.

4. If tank sizes other than 30 gallons are supplied, location of front of tank and filler spout must remain as specified below.

5. Drain plug at least 1/4 inch in diameter shall be located in center of bottom of tank.

NOTE: 6. Measurements shown below are for guidance of chassis manufacturers and serve only to prevent need for replacement of original tank. (Inspectors concerned with state or local approval of vehicle need not consider them unless tank does not fit.)

a. Tank or cage shall not extend in height above side member of chassis.

b. Distance from center line of chassis to outside of tank cage shall not be more than 44 inches.

c. Bottom of tank cage shall not be more than 19.0 inches below top of frame.

d. Distance from cowl to front of tank shall be 42 inches minimum.

e. Distance from cowl to center of fillpipe cap shall be 57 inches.

f. Distance from center line of chassis to center of fillpipe cap shall be 39.5 inches with plus or minus tolerance of 1/2 inch permitted.

g. Center of fillpipe cap shall be one inch below top of frame with plus or minus tolerance of 1/4 inch permitted.

7. Exceptions.

1- a. For Type II vehicles, the fuel tank shall be manufacturer's standard, mounted, filled, and vented outside of body.

2- b. For school bus of body-on-chassis type with manufacturer's rated seating capacity of 16 to 20 passengers, inclusive, fuel tank may, due to space limitation, be mounted behind rear wheels with fillpipe on right side of body and have capacity of less than 30 gallons.

3- c. On metropolitan type school buses, fuel tank of minimum 30-gallon capacity shall be mounted on right frame rail, and measurements in notes d and e above should be from forward service door post.

§ 6.24. Governor.

1. An approved engine governor set at 3,400 RPM is required.

2. An approved road speed control governor shall be required and set at a maximum speed of 45 mph.

§ 6.25. Heating system, provision for.

1- The chassis engine shall have plugged openings for the purpose of supplying hot water for the bus heating system. The opening shall be suitable for attaching 3/4-inch pipe thread/hose connector. The engine shall be capable of supplying water having a temperature of at least 170°F at a flow rate of 50 pounds/per minute at the return end of 30 feet of one-inch inside diameter automotive hot water heater hose. (SBMI Standards No. 001-Standard Code for Testing and Rating Automotive Bus Hot Water Heating and Ventilating Equipment.)

§ 6.26. Horn.

Final Regulations

1. Bus shall be equipped with dual horns of standard make which meet requirements of Federal Motor Vehicle Standards.

§ 6.27. Instrument and instrument panel.

1. A. Chassis shall be equipped with following instruments and gauges:

- a. 1. Speedometer which will show speed;
- b. 2. Odometer which will show accrued mileage, including tenths of miles;
- c. 3. Ammeter with graduated scale;
- d. 4. Oil-pressure gauge;
- e. 5. Water-temperature gauge;
- f. 6. Fuel gauge;
- g. 7. Upper-beam headlamp indicator; and
- h. 8. Air-pressure or vacuum gauge, where air or vacuum brakes are used, and audible low-pressure indicator to warn driver if air pressure in air brake system falls below 60 pounds per square inch.

2. B. All instruments or gauges shall be mounted on instrument panel in such manner that each is clearly visible to driver in normal seated position. Lights in lieu of gauges are not acceptable.

C. Exceptions.

On all small vehicles, both the ammeter or voltmeter and its wiring are to be compatible with generating capacity; also, ~~Item h~~ § 6.27 A.8 does not apply.

§ 6.28. Lights and signals.

1. Each chassis shall be equipped with not less than two sealed beam headlights - beam controlled, and stop and tail lights, and two front turn signal lamps mounted on front fenders.
2. Lights shall be protected by fuse or circuit breakers.
3. Self-canceling directional signal switch shall be installed by the chassis manufacturer.
4. An approved back-up alarm signal is permissible.

§ 6.29. Oil filter.

Oil filter of replacable element or cartridge type shall be provided and shall be connected by flexible oil lines if it is not of built-in engine-mounted design. Oil filter shall have oil capacity of at least one quart.

§ 6.30. Openings.

All openings in floorboard or firewall between chassis and passenger-carrying compartment, such as for gearshift lever and auxiliary brake lever, shall be sealed unless altered by body manufacturer. (See ~~item 11~~ under ~~Construction~~, page 211 § 6.51 K.)

§ 6.31. Over-all length.

Over-all length of a conventional bus shall not exceed 36 feet and metropolitan type not to exceed 40 feet.

§ 6.32. Passenger load.

1. Gross vehicle weight (i.e., wet weight, plus body weight, plus driver's weight of 150 pounds, plus weight of maximum seated pupil load based on not less than 120 pounds per pupil) shall not exceed maximum gross vehicle weight rating as established by manufacturer.

§ 6.33. Power or gradeability.

1. Chassis must be so geared and powered as to be capable of surmounting 3.7 percent grade at speed of at least 20 miles per hour with full load on continuous pull in direct drive.

§ 6.34. Shock absorbers.

1. Bus shall be equipped with front and rear double-acting shock absorbers compatible with manufacturer's rated axle capacity.

§ 6.35. Springs.

1. Springs or suspension assemblies shall be of ample resiliency under all load conditions and of adequate strength to sustain loaded bus without evidence of overload. (See table page 200 1)
2. Springs or suspension assemblies shall be designed to carry their proportional share of gross vehicle weight in accordance with requirement for "Weight Distribution" as shown on page 200 in § 6.40.
3. Rear springs shall be of progressive or variable type.
4. Stationary eye of the front spring shall be protected by full wrapper leaf in addition to main leaf.

Exception - Type II vehicles.

Springs that are regular equipment on vehicle to be purchased may be used.

§ 6.36. Steering gear.

1. Steering gear shall be approved by chassis manufacturer and designed to assure safe and accurate

performance when vehicle is operated with maximum load and maximum speed.

2. Steering mechanism shall provide for an easy adjustment for lost motion.

3. No changes shall be made in steering apparatus which are not approved by chassis manufacturer.

4. There shall be clearance of at least two inches between steering wheel and cowl instrument panel, windshield, or any other surface.

5. Power steering is required. It shall contain a provision to automatically bleed air from unit.

§ 6.37. Tires and rims.

1. Tire and rim sizes, based upon current standards of Tire and Rim Association, shall be required. (See table , page 200 1)

2. Total weight imposed on any tire shall not be above current standard of Tire and Rim Association.

3. Dual rear tires shall be provided on all vehicles.

4. All tires on given vehicles shall be of same size and ply rating.

5. Spare tire, if required, shall be suitably mounted in accessible location outside passenger compartment.

Exception - Type II vehicle - conversion van.

Same as above, except that dual rear tires are not required and spare tire rack may be inside passenger compartment provided it does not interfere with aisle width or passenger seating.

§ 6.38. Transmission.

1. Mechanical type transmission shall be synchromesh except first and reverse gears. Its design shall provide not less than four forward and one reverse speeds. With five-speed transmission, fifth gear shall be direct.

2. Transmission overdrive is not permitted.

3. Automatic transmissions are permissible when equipped with a parking pawl or when installed on a bus equipped with an air operated emergency brake system.

Exception - Type II vehicles.

Three-speed transmissions are acceptable.

§ 6.39. Turning radius.

Chassis with a wheel base of 264 inches or less shall

have a right and left turning radius of not more than 42 1/2 feet, curb to curb measurement.

§ 6.40. Weight distribution.

A. Weight distribution of fully loaded bus on level surface shall be such that not more than 75% of gross vehicle weight is on rear tires, and not more than 35% is on front tires.

B. Exception - Metropolitan type vehicles.

With engine inside front of body, if entrance door is ahead of front wheels, not more than 75% of gross vehicle weight shall be on rear tires, nor more than 50% on front tires. If entrance door is behind front wheels, not more than 75% of gross vehicle weight shall be on rear tires, nor more than 40% on front tires. With engine in rear, not more than 75% of gross vehicle weight shall be on rear tires, nor more than 40% on front tires.

§ 6.41. Wheels.

Disc wheels are required. (See table below for sizes.)

Table 1.

TABLE OUTLINING MINIMUM LIMITS OF BUS CHASSIS AND TIRE AND RIM SIZES
(Weights expressed in thousands)

Rated Payload Seating Capacity	8-15	16-20	25-34	52	64	84
Approx. Wheel Base-Inches	125	125	151	217	234	209
Wghts. G.V.W. Rating-Pounds	7.7	12.0	16.0	19.5	23.0	29.0
Min. Cowl To Rear Axle-Inches	—	102	125	192	229	—
Min. Engine Size Cu. in. Displ.	300	300	300	300	345	427
Wghts. Axle Rating-Pounds-Front	3.8	4.0	5.0	6.0	7.0	12.0
Wghts. Axle Rating-Pounds-Rear	5.7	11.0	15.0	15.0	17.0	18.5
Approx. Rear Axle Ratio	4.1	5.2	6.2	7.2	7.2	6.8
Brake Lining Area-Sq. Ins.	270	370	500	500	578	746
Tire and Tube Sizes-Front and Rear Ply Rating	8.0-16.5 8	8.0-19.5 8	8.25-20 10	8.25-20 10	9.00-20 10	10.00-20 12
Rim Sizes Front and Rear	6.0	5.5	6.5	6.5	7.0	7.5
Spring-Rated Cap. at Ground-Front	1.9	2.0	3.0	3.45	3.5	9.0
Spring-Rated Cap. at Ground-Rear	2.7	5.3	7.5	7.5	8.5	9.5

Article 3.
The Bus Body.

§ 6.42. Aisle.

1. Minimum clearance of all aisles, including aisle (or passageway between seats) leading to emergency door, shall be 12 inches. (See item 2f under Doors, page 214 § 6.54 B.6)

2. Aisle supports of seat backs shall be slanted away from aisle sufficiently to give aisle clearance of 15 inches at top of seat backs.

3. Exception - metropolitan type vehicles:

1. a. With engine inside front of body: Minimum

Final Regulations

distance between barrier at rear of entrance stepwell and engine cover shall be 14 inches, measured at floor level.

2. b. Type II vehicles to have minimum aisle width of 15 inches.

3. c. 16-18 passenger F.C. to have minimum aisle width of 14 inches.

§ 6.43. Battery.

The battery shall be located in the engine compartment, except when otherwise specified on annual chassis specifications. (See Item 3 and 4 under Battery, page 203, § 6.11 3 and 4) when mounted outside engine compartment.

§ 6.44. Body sizes.

Sizes are based on knee-room clearance between rows of forward-facing seats, over-all width, center aisle width, and average rump width. Body lengths for various capacity units will be designated in Specification Notices, issued periodically by the Supervisor of Pupil Transportation.

§ 6.45. Bumper, front. See page 204. § 6.13 of these regulations.

§ 6.46. Bumper, rear.

1. Rear bumper shall be of pressed steel channel at least 3/16 inch by 8 inches.

2. It shall be wrapped around back corners of bus. It shall extend forward at least 12 inches, measured from rear-most point of body at floor line.

3. Bumper shall be attached to chassis frame in such manner that it may be easily removed, shall be so braced as to develop full strength of bumper section from rear or side impact, and shall be so attached as to prevent hitching of rides.

4. Rear bumper shall extend beyond rear-most part of body surface at least one inch, measured at floor line.

Exception - Type II vehicles.

Rear bumper shall be standard type furnished by chassis manufacturer as part of chassis on conversion vans. Body manufacturer will furnish bumper on cutaway chassis.

§ 6.47. Ceiling. See insulation and interior on page 26. §§ 6.62 and 6.63.

§ 6.48. Chains. See Item under wheel housings on page 224. § 6.86 D.4.

§ 6.49. Color.

1. School bus body including hood, cowl, and fenders shall be painted uniform color, national school bus yellow, * according to specifications available from General Services Administration.

2. Grill shall be national school bus yellow, if painted; otherwise it shall be chrome or anodized aluminum.

3. Rear bumper and lettering shall be painted black. **

4. Body trim shall be painted black. ** This includes Item 2 B. under Rub Rails, page 221. § 6.72.

5. Front turn signal lamp shall be painted black. Side body turn signals shall be black or cast aluminum.

§ 6.50. Communication system—Optional equipment.

*See Footnote, page 205

**See Footnote, page 205

1. A. Two-way communication systems. For installation and use on Virginia school buses subject to the following provisions: When two-way communication equipment is needed on school buses for administrative or operational safety, private frequencies assigned specifically to local governmental agencies by the Federal Communications Commission should be used. Two-way equipment utilizing public citizens band channels may also be used where needed to enhance the safety of school bus operation. The use of the public citizens band type shall be restricted to those owned and licensed by the school board for official use only. Such mobile units on school buses shall be subject to written policies adopted by the local school board. Installation shall be subject to the State School Bus Standards and Department Annual Inspection.

2. B. Public address system. For use by driver, the system contains an inside speaker and an external speaker which is of special use when driver needs to caution young pupils about surrounding dangers at school bus stops. Inside speakers shall be recessed.

§ 6.51. Construction. Type I and metropolitan vehicles.

1. Construction of body shall meet all requirements of Federal Motor Vehicles Safety Standards Number 220 (Roll-over), Number 221 (Joint Strength), and all other applicable federal standards.

2. Construction shall be of prime commercial quality steel or other metal with strength at least equivalent to all-steel as certified by bus body manufacturer. All such construction materials shall be fire-resistant.

3. Construction shall provide reasonable dustproof and watertight unit.

4. Bus body (including roof bows, body posts, strainers,

stringers, floor, inner and outer linings, rub rails and other reinforcements) shall be of sufficient strength to support entire weight of fully loaded vehicle on its top or side if overturned. Bus body as unit shall be designed and built to provide impact and penetration resistance.

5. Side posts and roof bows: There shall be a body side post and roof bow fore and aft of each window opening. This may be a continuous bow or two separate pieces effectively joined.

6. Floor shall be of prime commercial quality steel of at least 14-gauge or other metal or other material at least equal in strength to 14-gauge steel. Floor shall be level from front to back and from side to side except in wheel housing, toeboard, and driver's seat platform areas.

7. Roof strainers: Two or more roof strainers or longitudinal members shall be provided to connect roof bows, to reinforce flattest portion of roof skin, and to space roof bows. These strainers may be installed between roof bows or applied externally. They shall extend from windshield header and, when combined with rear emergency door post, are to function as longitudinal members extending from windshield header to rear floor body cross member. At all points of contact between strainers or longitudinal members and other structural material, attachment shall be made by means of welding, riveting or bolting.

8. Side strainer(s): There shall be one or more side strainers or longitudinal members to connect vertical structural members and to provide impact and penetration resistance in event of contact with other vehicles or objects. Such strainer(s) shall be formed (not in flat strip) from metal of at least 16-gauge and three inches wide.

a. Side strainer(s) shall be installed in area between bottom of window and bottom of seat frame and shall extend completely around bus body except for door openings and body cowl panel. Side strainer(s) shall be fastened to each vertical structural member in any one or any combination of the following methods as long as stress continuity of members is maintained:

- a. (1) Installed between vertical members;
 - b. (2) Installed behind panels but attached to vertical members; and
 - c. (3) Installed outside external panels.
- b. Fastening method employed shall be such that strength of strainer(s) is fully utilized.
- c. Side strainer(s) of longitudinal member(s) may be

combined with one of required rub rails (see § 6.72), or be in form of additional rub rail, as long as separate conditions and physical requirements for rub rails are met. No portion of side strainer or longitudinal member is to occupy same vertical position as rub rail.

9. Rear corner reinforcements: Rear corner framing of bus body between floor and window sill and between emergency door posts and last side posts shall consist of at least three structural members applied horizontally or vertically, two of which shall be vertical, to provide additional impact and penetration resistance equal to that provided by frame members in areas of sides of body. Such structural members shall be securely attached at each end.

Exception -

Extra vertical member required in ~~Item~~ 9. above may be deleted on units of less than 90 inches in width.

10. Floor sills: There shall be one main body sill at each side post and two intermediate body sills on approximately 10-inch centers. All sills shall be of equal height, not to exceed three inches. All sills shall extend width of body floor except where structural members or features restrict area.

Main body sill shall be equivalent to or heavier than 10-gauge and each intermediate body sill shall be equivalent to or heavier than 16-gauge, or each of all body sills shall be equivalent to or greater than 14-gauge. All sills shall be permanently attached to floor.

b. Connections between sides and floor system shall be capable of distributing loads from vertical posts to all floor sills.

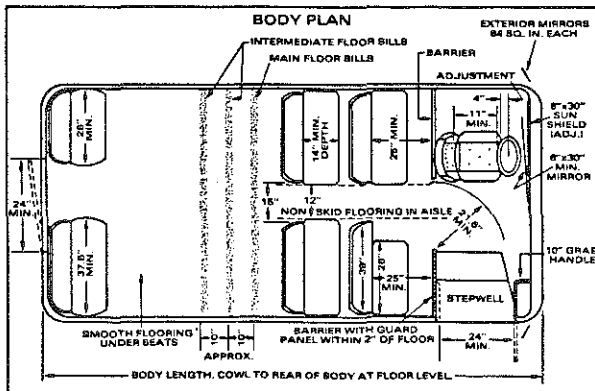
11. All openings between chassis and passenger-carrying compartment made due to alterations of body manufacturer must be sealed. (See Openings, page 221 §6.68.)

12. A cover shall be provided for the opening to the gasoline tank fillpipe.

13. A moisture and dustproof removable panel may be provided in the floor for access to the fuel tank sender gauge. It shall be designed for prolonged use and adequate fastening to the floor.

Final Regulations

Diagram 2.



§ 6.52. Construction - Type II vehicles.

1. Construction of body shall meet all requirements of Federal Motor Vehicle Safety Standard Number 220 (Roll-over) and all other applicable federal standards.
2. Construction shall be of prime commercial quality steel or other metal strength at least equivalent to all steel as certified by bus body manufacturer. All such construction materials shall be fire-resistant.
3. Construction shall provide reasonably dustproof and watertight unit.
4. Bus body (including roof bows, body posts, strainers, stringers, floor, inner and outer linings, rub rails and other reinforcements) shall be of sufficient strength to support entire weight of fully loaded vehicle on its top or side if overturned. Bus body as unit shall be designed and built to provide impact and penetration resistance.
5. Floor: A plywood of 1/2 inch exterior B.B. Grade or equivalent shall be applied over the existing steel floor and securely fastened. Floor shall be level from front to back and from side to side except in wheel housing, toeboard and driver seat platform areas.

Exception -

Plywood may be deleted when provisions of Items 4 and 8a under construction of § 6.51. for Type I are met.

6. Roof strainers: Two or more roof strainers or longitudinal members shall be provided to connect roof bows to reinforce flattest portion of roof skin, and to space roof bows. These strainers may be installed between roof bows or applied externally. They shall extend from windshield header to rear body header over the emergency door. At all points of contact between strainers of longitudinal members and

other structural material, attachment shall be made by means of welding, riveting, or bolting.

After load as called for in Static Load Test Code has been removed, none of the following defects shall be evident:

1. Failure or separation at joints where strainers are fastened to roof bows;
2. Appreciable difference in deflection between adjacent strainers and roof bows;
3. Twisting, buckling, or deformation of strainer cross section.
7. Side strainers: There shall be one longitudinal side strainer mounted at shoulder level (window sill level) and extending from front main vertical post to rear corner post. This member shall be attached to each vertical structural member. Such strainer shall be formed of metal (not in flat strip).
 - a. There shall be one longitudinal side strainer(s) installed in the area between bottom of window and bottom of seat frame extending from front main vertical post to rear corner post. this member shall be attached to each vertical structural member.
 - b. Stainers may be fastened in any one or any combination of the following methods as long as stress continuity of members is maintained:
 - a. (1) Installed between vertical members;
 - b. (2) Installed behind panels but attached to vertical members; or
 - e. (3) Installed outside external panels.
 - c. Fastening method employed shall be such that strength of strainers is fully utilized.
8. Area between floor and window line shall be restructured inside to include at least four vertical formed reinforcement members extending from floor to window line rail. They shall be securely attached at both ends.
9. Rear corner reinforcements: Rear corner framing of the bus body between floor and window sill and between emergency door post and last side post shall consist of at least one structural member applied horizontally to provide additional impact and penetration resistance equal to that provided by frame members in areas of sides of body. Such member shall be securely attached at each end.
10. All openings between chassis and passenger carrying compartment made due to alterations by body manufacturers must be sealed. (See openings;

page 221 § 6.68.)

§ 6.53. Defrosters.

Defrosters shall be of sufficient capacity to keep windshield clear of fog, ice, and snow and to defog the window to the left of the driver. (see Heater, page 216 § 6.59.) A windshield defogging fan of sufficient capacity to defog the entrance door glass shall be installed on the right side. An additional fan to the left of the driver is permissible.

Exception - Type II vehicle.

Defogging fan not required.

§ 6.54. Doors.

1. A. Service door.

a. 1. Service door shall be manually operated, under control of driver, and so designed as to afford easy release and prevent accidental opening. No parts shall come together so as to shear or crush fingers.

b. 2. Service door shall be located on right side of bus opposite driver and within his direct view.

c. 3. Service door shall have minimum horizontal opening of 24 inches and minimum vertical opening of 68 inches.

d. 4. Service door shall be of split-type, jack-knife type, or sedan-type. (Split-type door includes any sectioned door which divides and opens inward or outward.) If one section of split-type door opens inward and other opens outward, front section shall open outward. The jack-knife type shall fold inward at the front of the door opening. When both sections open outward, a safety catch shall be added to door handle to prevent door from opening when handle is moved slightly to activate traffic warning lights.

e. 5. Lower as well as upper panels shall be of approved safety glass. (See Item I under windshield and windows, page 224 § 6.88 1) Bottom of lower glass panel shall not be more than 35 inches from ground when bus is unloaded. Top of upper glass panel shall not be more than six inches from top of door.

f. 6. Vertical closing edges shall be equipped with flexible material to protect children's fingers.

g. 7. There shall be no door left of driver.

Exception - Type II vehicles.

Standard does not apply.

8. Exception - Metropolitan type vehicles.

Service doors may be hydraulically or electrically operated and shall be located as far forward as possible on the right side. A manual switch to operate the traffic warning light system shall be mounted on the left side of the dash and labeled accordingly.

2. B. Emergency door.

a. 1. Emergency door shall be located in center of rear end of bus.

b. 2. Emergency door shall have minimum horizontal opening of 24 inches and minimum vertical opening of 45 inches measured from floor level.

c. 3. Emergency door shall be hinged on right side and shall open outward and be equipped with an adequate strap or stop to prevent door from striking lamps or right rear of body. Such strap or stop must allow door to open at least a ninety degree angle from closed position.

d. 4. Upper portion of emergency door shall be equipped with approved safety glass, exposed area of which shall not be less than 400 square inches. (See Item I under windshield and windows, page 224 § 6.88 1) Lower portion of door, if in rear end of bus, may be equipped with approved safety glass, area of which shall not be less than 12 inches in height and 20 inches in width. This glass, if used, must be protected by metal guard on inside. This guard shall be free of any sharp edges that may cause injury to passengers.

e. 5. There shall be no steps leading to emergency door.

f. 6. No seat or other object shall be so placed in bus as to restrict any part of passageway leading to emergency door to opening smaller than rectangle of 12 inches in width and 48 inches in height, measured from floor level.

g. 7. When not fully latched, emergency door shall actuate signal audible to driver by means of mechanism actuated by latch.

h. 8. Words "EMERGENCY DOOR", both inside and outside in black letters two inches high shall be painted directly above emergency door. Words may be placed on the top of door outside if space is available.

9. The emergency door shall be designed to open from inside and outside bus. It shall be equipped with a slide bar and cam-operated lock located on left side of door and fastened to the door framing.

The slidebar shall be approximately 1 1/4 inches wide and 3/8 inch thick and shall have a minimum stroke of 1 1/4 inches. The slidebar shall have a bearing surface of a minimum of 3/4 inch with the door lock in a closed position. Control from driver's seat shall not be permitted.

Final Regulations

Provision for opening from outside shall consist of nondetachable device so designed as to prevent hitching-to, but to permit opening when necessary. Door lock shall be equipped with interior handle and guard that extends approximately to center of door. It shall lift up to release lock.

C. Emergency door - Type II vehicles.

a. 1. Emergency door shall be located in center of rear end of bus and shall be equipped with fastening device for opening from inside and outside body, which may be quickly released but is designed to offer protection against accidental release. Control from driver's seat shall not be permitted. Provision for opening from outside shall consist of device designed to prevent hitching-to but to permit opening when necessary.

b. 2. When not fully closed, emergency door shall actuate signal audible to driver.

c. 3. Emergency door shall be marked "EMERGENCY DOOR" on inside and outside in painted black letters two inches high.

d. 4. There shall be no steps leading to emergency door.

e. 5. No seat or other object shall be placed in bus which restricts passageway to emergency door to less than 15 inches.

4. D. Security locking system. A door locking system designed to prevent vandalism, which is approved by the State Department of Education, may be installed provided it is equipped with an interlock in the chassis starting circuit and an audible alarm to indicate to the driver when an emergency door is locked while the ignition is in the "on" position. A cutoff switch on the interlock circuit or a lock and hasp on the rear door will not be permitted.

§ 6.55. Electrical system.

1. Battery - see page 203. § 6.11.
2. Alternator - see page 203. § 6.9.
3. Lights and signals - see page 207. § 6.28.
4. Wiring - see page 225. § 6.91.

§ 6.56. Emergency equipment.

*1. A. Fire extinguisher.

a. 1. Bus shall be equipped with one dry-chemical fire extinguisher of at least 2 1/2 pound capacity with pressure indicator, mounted in extinguisher manufacturer's bracket of automotive type, and located in full view and in an accessible place in the front of

the bus excluding floor and area above bottom line of windshield.

b. 2. Fire extinguisher shall bear label of Underwriters' Laboratories, Inc., showing rating of not less than 10-B.C.

*2. B. First-aid kit.

a. 1. Bus shall carry Grade A metal first-aid kit, unit-type, mounted in full view and in accessible place in the front of the bus.

b. 2. The first-aid kit shall contain the following items:

Item	Unit
Bandage compress, (sterile gauze pads) 4-inch	3
Bandage compress, (sterile gauze pads) 2-inch	2
Adhesive absorbent bandage (non-adhering pad)	2
Triangular bandage, 40-inch	2
Gauze Bandage, 4-inch	2
Absorbent-gauze compress	1
Antiseptic applicator (swab type) 10 per unit	2
Bee sting applicator (swab type) 10 per unit	1

*3. C. Flare.

1. Bus shall be equipped with three red bidirectional triangular flares meeting requirements of FMVSS-125.

2. Kit shall be securely mounted on the right of toeboard as far forward as practical or in the area to the left of the driver's seat.

* Optional: These items may be mounted in an approved compartment which shall be labeled to indicate what is contained therein. If equipped with a lock, a buzzer shall be activated when locked or be connected through ignition interlock to prevent bus from starting.

Exception - Type II vehicles.

These may be mounted behind left rear seat.

§ 6.57. Floor - (See construction, page 210 § 6.51.)

§ 6.58. Floor Covering.

1. Floor in underseat area, including tops of wheel housings, driver's compartment and toeboard shall be covered with fire-resistant rubber floor covering or an approved equivalent, having minimum over-all

thickness of .125 inch. Driver's compartment and toeboard area shall be trimmed with molding strips behind the cowl face line.

2. Floor covering in aisle shall be of aisle-type fire-resistant rubber or an approved equivalent, non-skid, wear-resistant and ribbed. Minimum over-all thickness shall be .1875 inch measured from tops of ribs. Rubber floor covering shall meet Federal Specifications ZZ-M71d.

3. Floor covering must be permanently bonded to floor, and must not crack when subjected to sudden changes in temperature. Bonding or adhesive material shall be waterproof and shall be of the type recommended by manufacturer of floor-covering material. All seams must be sealed with waterproof sealer.

§ 6.59. Heaters.

1. Hot water heaters of fresh-air or combination fresh-air and recirculating type, with power defrosters, are required.

2. They shall bear name plate rating affixed by heater manufacturer on top of heater shell.

3. Heaters shall be capable of maintaining inside temperature of 50°F, with an outside temperature of 20°F when the bus is loaded to one-half capacity.

4. The heater wiring shall be connected to the cold side of the ignition switch through a continuous duty solenoid relay Cole Hersee #24106 or equivalent. (See *Wiring, Item 4, page 225 § 6.91 4*)

5. The power defroster shall deliver a sufficient amount of heated air distributed through a windshield duct, nozzle or nozzles to defog and deice the entire windshield, and to defog the driver's window. The duct, nozzle, or nozzles shall be designed to prevent objects from being placed in any manner which would obstruct the flow of air.

6. Water circulation cut-off valve, a minimum of 3/4 inch diameter, shall be at the engine.

7. Heater hoses, including those in engine compartment, shall be supported in such manner that hose chafing against other objects will not occur nor shall suspended water lines interfere with routine vehicle maintenance.

8. All water hoses in driver or passenger area shall be shielded.

9. An auxiliary heater of recirculating type, having a minimum capacity of 60,000 BTU output, may be installed under the second seat behind the wheelhousing or the left side of the body. Such heater

is required on all lift-gate buses and on any equipment with diesel engines.

10. A booster pump in the intake heater line shall be provided on buses equipped with a diesel engine.

11. Exception - Type II vehicles.

a. Front heater with high output with defroster shall be furnished by the chassis manufacturer.

b. The body manufacturer shall provide an additional underseat heater near the rear of the bus.

§ 6.60. Identification - See *charts, pages 219-220 Diagrams 3 and 4.*

For purpose of identification school buses shall be lettered as follows:

1. Lettering shall be placed according to *charts, pages 219-220, Diagrams 3 and 4.* Lettering shall be of black paint and conform to "Series B" for Standard Alphabets for Highway Signs.

2. Both the front and rear of the body shall bear the words, "SCHOOL BUS" in black letters eight inches in height.

3. All school buses shall have a number painted in black letters four inches high on the rear of the body, on the right side just back of the entrance door, and on the left side just back of the warning sign. (See *charts, page 219-220 Diagrams 3 and 4.*) The number shall also be placed on the front bumper, approximately 18 inches from the right end in yellow letters four inches high.

4. The name of the school division shall be on each side of the bus in black letters four inches high - as "... COUNTY PUBLIC SCHOOL," or "... CITY PUBLIC SCHOOLS."

5. Wheelchair symbol on lift-gate buses - standard access symbol, 12" x 12" size, may be applied to back and front of school bus by local school divisions. It shall be placed so as not to cover lettering, lamps or glass.

§ 6.61. Inside height.

Inside body height shall be 72 inches or more, measured metal to metal, at any point on longitudinal center line from front vertical bow to rear vertical bow.

Exception - Type II vehicles.

Inside body height shall be 62 inch minimum.

§ 6.62. Insulation.

Final Regulations

Ceilings and walls shall be coated with proper materials to deaden sounds and to reduce vibrations to a minimum. Fiber glass thermal insulation (minimum thickness one inch) shall be used to insulate walls and roof between inner and outer panels.

§ 6.63. Interior.

1. Interior of bus shall be free of all unnecessary projections likely to cause injury. This standard requires inner lining on ceilings and walls. Ceiling panels shall be constructed so as to contain lapped joints with all exposed edges hemmed to minimize sharpness. If lateral panels are used, forward panels shall be lapped by rear panels.

2. Ceilings in passenger compartment shall be free of all projections.

§ 6.64. Lights and Signals - see charts, pages 219-220 Diagrams 3 and 4.

{ No lights or signals other than herein specified shall be installed on school buses, except those required by Federal Regulations. }

1. Clearance lights: Body shall be equipped with two red clearance lamps at rear, two amber clearance lamps at front, and intermediate side marker lamps on buses 30 feet or more in length.

They shall be of armour type.

2. Identification lamps: Three amber lamps shall be mounted on front and three red lamps on rear of body.

3. Stop and tail lamps: Bus shall be equipped with two matched stop and tail lamps of heavy duty type, which shall be in combination, emitting red light plainly visible from a distance of at least 500 feet to rear, and mounted on rear end with their centers not less than 12 nor more than 24 inches from plane side of body, and not less than 6 nor more than 18 inches below D-glass in rear of body. They shall be approximately seven inches in diameter. These lights shall be on the same horizontal line with the turn signal units and shall not flash. A pilot light shall be installed on the left side of the instrument panel and connected to the cold side of the brake light switch so that it will indicate when the stop lights are activated. A list of approved stop and tail lights will be supplied to the body manufacturers by the Supervisor of Transportation. The use of lights not on this list will not be approved.

4. For illumination of rear license plate, the type of stop and tail light with which the chassis is equipped may be used. The stop light connection will be made to this light.

5. Back-up lamp: Back-up lamp shall be mounted on the rear of the body and shall be illuminated when the ignition switch is energized and reverse gear is engaged.

6. Interior lamps: Interior lamps shall be provided which adequately illuminate aisles and stepwell.

7. Turn signal units: Bus shall be equipped with Class A, flashing turn signal units of heavy-duty type. These signals must be independent units equipped with amber lens on all faces, and may be equipped with four-way hazard warning switch to cause simultaneous flashing of turn signal lamps when needed as vehicular traffic hazard warning. A pilot light or lights shall indicate when these lights are activated. The front lights shall be mounted near the front corners of chassis on each side. The rear lights shall be 7 inches in diameter and mounted not less than 6 nor more than 18 inches from plane of the side of the body and not less than 6 nor more than 18 inches below D-glass in rear of body. They shall be on the same horizontal line with the stop and tail lights required in Item 3 above.

a. In addition to the turn signals described above, two amber lens turn signal lamps of armour type with a minimum of four candlepower each shall be mounted on the body side at approximate seat level height and located just to the rear of the entrance door on the right side of the body and approximately the same location on the left side. They are to be connected to and function with the regular turn signal lamps. Such lamps must provide 180° angle vision.

b. A list of approved turn signal lights will be supplied to the body manufacturers by the Supervisor of Transportation. The use of lights not on this list will not be approved.

c. Exception - Type II conversion vans.

Turn signals shall be chassis manufacturer's standard.

8. Hazard warning signal: The turn signal units shall also function as the hazard warning system. The system shall operate independently of the ignition switch and, when energized, shall cause all turn signal lamps to flash simultaneously.

9. Reflex reflectors: (Class A) Two amber lights and two amber reflectors (they may be combined) shall be mounted, one on each side, near the front of the chassis. Two four-inch red reflectors shall be mounted, one on each side near the rear of the body and two four-inch red reflectors shall be mounted on the rear above the bumper. Two intermediate amber four-inch reflectors, one on each side near the middle of the bus, shall be mounted on buses 30 feet or more in

length. They shall be mounted on panel above floor line rub rail.

10. Virginia school bus traffic warning lights:

a. They shall consist of four lights, two front and two rear, containing 80 watts, 12-volt sealed beam clear spot units five inches in diameter with seven-inch red acrylic lens, including component parts and location necessary for their operation. Information on such approved part and location will be supplied by the state Supervisor of Transportation.

b. The control circuit shall be connected to the cold side of the ignition switch with the control switch mounted so that it is operated by the door control handle.

The motor-driven flasher and the relay shall be fastened to the fire wall on the right side or in some easily accessible place inside the bus body.

d. The pilot lights shall be mounted on the instrument panel in or near the center so that they will be in plain view of the driver.

e. All joints shall be soldered or jointed by equally effective connectors.

11. Virginia school bus traffic warning sign:

a. Warning sign shall be mounted on the left side near the front of the bus immediately below the window line.

b. Sign shall be of the Octagon series, 18 inches in diameter, 16-gauge cold rolled steel, and be equipped with windguard. The sign shall have a red background with a 1/2 inch white border, and the word "STOP" on both sides in white letters, six inches high and one inch wide.

c. Sign shall have double-faced alternately flashing red lamps, four inches in diameter, located at the top and bottommost portions of the sign, one above the other.

d. All wire shall be 16-gauge minimum. A No. 537 alternating flasher, or approved equal, mounted in body accessory panel shall be provided.

e. The sign shall be operated by a manual switch located on dash to the immediate left of the entrance door handle. The vacuum/air control valve shall be an electric solenoid type or push-pull switch/control valve combination. Air operated signs require air pressure regulator in addition to control valve.

f. Copper tubing or a high quality vacuum hose shall be used to supply vacuum to sign. Source of

vacuum to be main supply line on the intake manifold ahead of the brake check valve. Source of supply for air operated units to be the main air supply tank with check valve at tank.

g. Sign and components shall comply with all provisions of SAEJ1133. A list of approved traffic warning signs and components will be supplied by the Supervisor of Transportation.

Diagram 3.

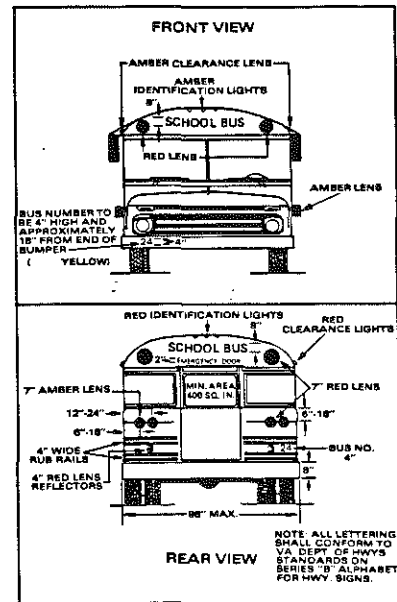
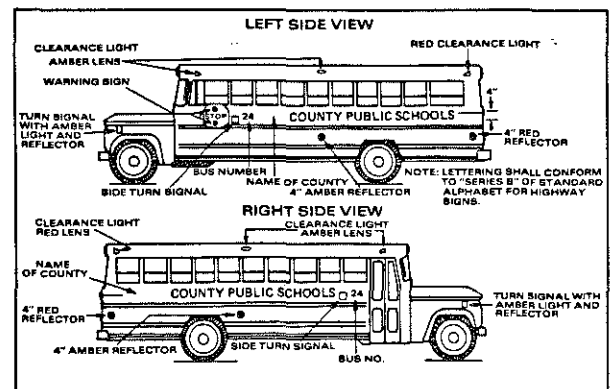


Diagram 4.



§ 6.65. Metal treatment.

All metal parts that will be painted shall be chemically cleaned, etched, zinc-phosphate-coated, and zinc-chromate or epoxy-primed or conditioned by equivalent process.

Final Regulations

§ 6.66. Mirrors.

1. Interior rear view mirror at least 6 x 30 inches, metal encased safety glass of at least 1/8 inch thickness, which will afford good view of pupils and roadway to rear and shall be installed in such a way that vibration will be reduced to a minimum. It shall have rounded corners and protected edges.

2. Two exterior rear view silver electro-plated copper back or chrome faced mirrors shall be provided, one to left and one to right of driver.

Each mirror shall be not less than 6 x 9 1/2 inches. Mirrors shall be firmly supported by tripod type brackets fastened to top corners of bus body. Left and right mirrors shall be on same level and shall be mounted so that they can be adjusted to give driver clear view to left rear and right rear of bus.

a. Exterior crossview mirror at least 7 1/2 inches in diameter shall be located on left front fender of bus in such manner that seated driver may observe, through its use, areas to front of bus where direct observation is not possible. It shall not obstruct the left turn signal. An additional mirror may be mounted on the right front fender in a corresponding position.

b. An adjustable convex mirror with a minimum diameter of four inches and a maximum diameter of five inches may be mounted on each side on a separate arm attached to the mounting of the regular outside mirror. This convex mirror shall be mounted so that it can be positioned immediately below the regular outside mirror.

3. A list of approved mirrors will be supplied to body manufacturers by the State Supervisor of Transportation. The use of mirrors not on this list will not be approved.

Exception - Type II vehicles.

Interior mirror to be 6 x 16 inches minimum and outside 6 x 10 inches mounted on doors.

§ 6.67. Mounting.

1. Chassis frame shall extend to rear edge of rear body cross member. Bus body shall be attached to chassis frame in such manner as to prevent shifting or separation of body from chassis under severe operating conditions.

2. Body front shall be attached and sealed to chassis cowl in such manner as to prevent entry of water, dust, and fumes through joint between chassis cowl and body.

3. Insulating material shall be placed at all contact

points between body and chassis frame. Insulating material shall be approximately 1/4 inch thick, shall have quality of sidewall of automobile tire, and shall be so attached to chassis frame or body member that it will not move under severe operating conditions.

4. Exception - Type II conversion vans.

Standard does not apply.

§ 6.68. Openings.

Any openings in body or front fenders of chassis resulting from change necessary to furnish required components shall be sealed. (See ~~openings~~, page 207 and ~~Item 11~~, page 211 §§ 6.30 and 6.51.11.)

§ 6.69. Overall length.

Overall length of bus shall not exceed 36 feet for conventional flat faced cowl units or 40 feet for metropolitan type.

§ 6.70. Overall width.

Overall width of bus shall not exceed 100 inches, including traffic warning sign in closed position.

§ 6.71. Posts - See ~~Construction~~ on page 210 and ~~Item 3~~ under ~~Windshield~~ and ~~windows~~ on page 224 §§ 6.51 and 6.88.3.

§ 6.72. Rub rails.

1. There shall be one rub rail located on each side of bus immediately below window level which shall extend from rear side of entrance door completely around bus body (except for emergency door) to point of curvature near outside cowl on left side. If floor level rub rail extends to emergency door post in rear, this rub rail may stop at rear side post.

Exception -

This rub rail is not required between the front body post and rear side post if an internal frame member (fortress rail) of greater strength is positioned immediately below the window level. The rub rail must be applied from the last sidepost to the emergency doorpost.

2. There shall be one rub rail located on each side of bus approximately at seat level which shall extend from rear side of entrance door completely around bus body (except for emergency door) to point of curvature near outside cowl on left side. This rail shall be painted black.

3. There shall be one rub rail located approximately at floor line which shall extend from rear side of entrance door completely around bus body (except for

emergency door) to point of curvature near outside cowl on left side, except at wheel housings. If the window level rub rail extends to emergency door post in rear, this rub rail may stop at rear side post.

4. All rub rails shall be attached at each body post and all other up-right structural members.
5. All rub rails shall be of four inches or more in width, shall be of 16-gauge steel, and shall be constructed in corrugated or ribbed fashion.
6. All rub rails shall be applied outside body or outside body posts. Pressed-in or snap-on rub rails do not satisfy this requirement.
7. Certain exceptions may be approved for heater air-intake and for rear engine type buses.

Exception - Type II vehicles.

Rail required in No. 1 above does not apply.

§ 6.73. Seat belt for driver.

Seat belt for driver shall be provided. Belt shall be equipped with retractor on each side of sufficient quality and strength to keep it retracted and off floor when not in use.

§ 6.74. Seats.

1. All seats shall have minimum depth of 14 inches.
2. In determining seating capacity of bus, allowable average rump width shall be 13 inches. (See ~~Body sizes~~, page 210 § 6.44.)
3. All seats shall be forwarded facing. They shall have two legs securely fastened to the floor with the other end supported by rail or bracket on side wall.
 - a. A two-passenger left rear seat, minimum of 26 inches in length, and a three-passenger right rear seat, minimum of 37.5 inches in length, will be provided.
 - b. The right front seat will have a two-passenger cushion, minimum of 26 inches in length and a three-passenger back which serves as a barrier for the next seat.
4. Seat cushions shall have 24-hour glass coil type springs interlaced and securely fastened to plywood base having minimum thickness of 1/2 inch. Urethane foam may be used in place of springs if sample is submitted and approved each year.
 - a. Passenger seat cushion retention system shall be employed to prevent passenger seat cushions from disengaging from seat frames in event of accident.

Each seat cushion retention system shall be capable of withstanding vertical static load equal to minimum of five times weight of cushion. System shall also be capable of withstanding forward or rearward static load equal to 20 times weight of cushion.

5. No bus shall be equipped with jump seats or portable seats.
6. Seat spacing shall provide a minimum of 25 inch knee room at center of seat, when measured horizontally from back to back, at cushion level.
7. Seat and back cushions of all seats shall be designed to safely support designated number of passengers under normal road conditions encountered in school bus service. Covering of seat cushions shall be of material having 42 ounce finished weight, 54 inch width, and finished vinyl coating of 1.06 broken twill and shall be medium brown or green in color. Material on polyester drill and polyester cotton twill knit backing with equal vinyl coating which meets or exceeds the laboratory test results for the 42 ounce 1.06 covering may be used. Padding and covering on all seats shall comply with provisions of Federal Motor Vehicles Safety Standard No. 302.

8. Minimum distance between steering wheel and back rest of driver's seat shall be 11 inches. Driver's seat shall have fore-and-aft adjustment of not less than four inches and up and down adjustment of three inches. It shall be manually adjustable and strongly attached to floor.

9. Minimum of 36-inch headroom for sitting position above top of undepressed cushion line of all seats shall be provided. Measurement shall be made vertically not more than seven inches from side wall at cushion height and at fore-and-aft center of cushion.

10. Backs of all seats of similar size shall be of same width at top and of same height from floor and shall slant at same angle with floor.

11. Seat back heights shall be between 19 and 24 inches measured from cushion level.

§ 6.75. Barriers.

1. Barrier shall be installed at rear of driver's seat in such a position as neither to interfere with adjustment of driver's seat nor to obstruct 21.6 inch entranceway to the aisle.

2. Barrier shall be installed at rear of entrance stepwell. Placement shall not restrict entrance passageway at any level to less than 21.6 inches. Barrier to coincide with length of the right front seat cushion with minimum width of 26 inches and shall have a modesty panel to extend from bottom of barrier to floor.

Final Regulations

3. Lift-gate units shall have a barrier or padded stanchion with modesty panel forward of each standard seating position and between lift-gate and first seat to rear of lift-gate.

§ 6.76. Stanchions and guard rails.

Padded stanchions may be used in lieu of barriers, if permitted by federal regulations. A modesty panel is required with all stanchions except the one immediately behind the driver's seat.

§ 6.77. Steering wheel - See item 4 under Steering gear on page 208 § 6.36.4.

§ 6.78. Steps.

1. First step at service door shall be not less than 12 inches and not more than 16 inches from ground, based on standard chassis specifications.

2. Service door entrance may be equipped with two-step or three-step stepwell. Risers in each case shall be approximately equal.

3. Steps shall be enclosed to prevent accumulation of ice and snow.

4. Steps shall not protrude beyond side body line.

5. Grab handle not less than 10 inches in length shall be provided in unobstructed location inside doorway, but shall not be attached so that it will interfere with the opening of the glove compartment door. This handle shall be designed to eliminate exposed ends that would catch passenger clothing.

6. Step covering: All steps, including floorline platform area, shall be covered with 3/16-inch rubber metal-backed treads with at least 1 1/2-inch white nosing (or three inch white rubber step edge with metal back at floorline platform area.)

a. Step tread minimum over-all thickness shall be 3/16-inch ribbed design, similar to ribbed design of the rubber aisle;

b. Metal back of tread, minimum 24-gauge cold roll steel, shall be permanently bonded to ribbed rubber; grooved design shall be such that said grooves run at 90° angle to long dimensions of step tread;

c. 3/16-inch ribbed step tread shall have a 1 1/2-inch white nosing as integral piece without any joint; and

d. Rubber portion of step treads shall have following characteristics:

(+) a. Special compounding for good abrasion resistance and high coefficient of friction.

(2) b. Flexibility so that it can be bent around a 1/2-inch mandrel both at 20°F and 130°F without breaking, cracking, or crazing.

(3) c. Show a durometer hardness 85 to 95.

§ 6.79. Stirrup steps.

There shall be one folding stirrup step and suitably located handle on each side of front of body for easy accessibility for cleaning windshield and lamps.

Exception - Type II vehicles.

Standard does not apply.

§ 6.80. Storage compartment.

Metal storage compartment for tools and chains is required. If provided, the metal container shall have adequate strength and capacity for storage of tire chains and such tools as may be necessary for minor emergency repairs. Such storage container may be located either inside or outside passenger compartment but if inside, it shall have cover (seat cushion may not serve for this purpose) capable of being securely latched and shall be fastened to floor under right rear seat frame. If outside, it shall be located in body skirt on right side of body.

§ 6.81. Sun shield.

Interior adjustable transparent sun shield, darkest shade available, not less than 60 x 30 inches shall be installed in position convenient for use by driver.

Exception - Type II vehicles.

Manufacturer's Standard is acceptable.

§ 6.82. Tail pipe.

Tail pipe shall extend to but not more than 1/2 inch beyond outer edge of rear bumper. (See Item 2 Exhaust system, Page 205 § 6.19 2)

§ 6.83. Undercoating.

Entire underside of bus body, including floor sections, cross members, and below floor line side panels, shall be coated with rust-proofing compound for which compound manufacturer has issued notarized certification of compliance to bus body builder that compounds meets or exceeds all performance requirements of Federal Specification TT-C-520a using modified test procedures * for following requirements:

1. Salt spray resistance - pass test modified to five percent 5% salt and 1,000 hours;

2. Abrasion resistance - pass;

3. Fire resistance - pass.

Undercoating compound shall be applied with suitable airless or conventional spray equipment to recommend film thickness and shall show no evidence of voids in cured film. Undercoating is expected to prevent rust under all bus service conditions for minimum of five years.

§ 6.84. Ventilation.

1. Body shall be equipped with suitable, controlled ventilating system of sufficient capacity to maintain proper quantity of air under operating conditions without opening of windows except in extremely warm weather.

2. Static-type, nonclosable, exhaust roof ventilators shall be installed in low-pressure area of roof panel.

*Test panels are to be prepared in accordance with paragraph 4.6.12 of TTC-520a with modified procedure requiring that tests be made on a 48-hour air cured film at thickness recommended by compound manufacturer.

§ 6.85. Water test.

Each and every school bus body, after it is mounted on chassis ready for delivery, shall be subjected to a thorough water test in which water under pressure equal to a driving rain is forced against the entire bus body from various directions. Any leaks detected are to be repaired before the bus is declared ready for delivery.

§ 6.86. Wheel housings.

1. Wheel housings shall be of full open type.
2. Wheel housings shall be designed to support seat and passenger loads and shall be attached to floor sheets in such manner as to prevent any dust or water from entering the body.
3. Inside height of wheel housings above floor line shall not exceed 10 inches.
4. Wheel housings shall provide clearance for dual wheels as established by National Association of Chain Manufacturers.

Exception -

Standard does not apply to Type II conversion vans.

§ 6.87. Width - See overall width on page 221 § 6.70.

§ 6.88. Windshield and windows.

1. All glass in windshield, window, and doors shall be of approved safety glass, so mounted that permanent mark is visible, and of sufficient quality to prevent distortion of view in any direction. Windshield must be

AS1 and all other glass shall be AS2.

2. Plastic glazing material of a thickness comparable to AS2 glass, meeting ANSI Standard C26.1 and FMVSS No. 205, may be used in side windows behind the driver's compartment.

3. Windshield shall be large enough to permit driver to see roadway clearly, shall be slanted to reduce glare, and shall be installed between front corner posts that are so designed and placed as to afford minimum obstruction to driver's view of roadway.

4. Windshield shall have horizontal gradient band starting slightly above line of driver's vision and gradually decreasing in light transmission to 20 percent or less of windshield.

5. Each full side window shall provide unobstructed emergency opening at least 9 inches high and 22 inches wide, obtained either by lowering of window or by use of knock-out type split-sash windows.

6. Approved tinted glass or plastic glazing material may be used as needed for care of handicapped pupils.

7. All exposed edges of glass shall be banded.

§ 6.89. Windshield washers.

Windshield washers meeting federal requirements shall be provided and shall be controlled by push button switch located on instrument panel. Reservoir shall be mounted in engine compartment.

§ 6.90. Windshield wipers.

1. Bus shall be equipped with two variable-speed windshield wipers of air or electric type powered by two motors of sufficient power to operate wipers.
2. Blades and arms shall be of such size that minimum blade length will be 12 inches with longer blades being used whenever possible.
3. Wiper motor and arm linkage shall be shielded to prevent objects from being placed against them.

Exception - Type II vehicles.

One variable speed motor is acceptable.

§ 6.91. Wiring.

1. All wiring shall conform to current standards of Society of Automotive Engineers.
2. Circuits:
 - a. Wiring shall be arranged in at least 12 regular

Final Regulations

circuits as follows:

- (1) head, tail, stop (brake) and instrument panel lamps
- (2) clearance lamps
- (3) dome and stepwell lamps
- (4) starter motor
- (5) ignition
- (6) turn-signal units
- (7) alternately flashing red signal lamps
- (8) horns
- * (9) heater and defroster
- * (10) emergency door buzzer
- * (11) defogging fan
- * (12) traffic warning sign

b. Any of above combination circuits may be subdivided into additional independent circuits.

c. Whenever possible, all other electrical functions (such as electric-type windshield wipers) shall be provided with independent and properly protected circuits.

d. Each body circuit shall be color coded and a diagram of the circuits shall be attached to the body in a readily accessible location.

3. A separate fuse or circuit breaker shall be provided for each circuit except starter motor and ignition circuits.

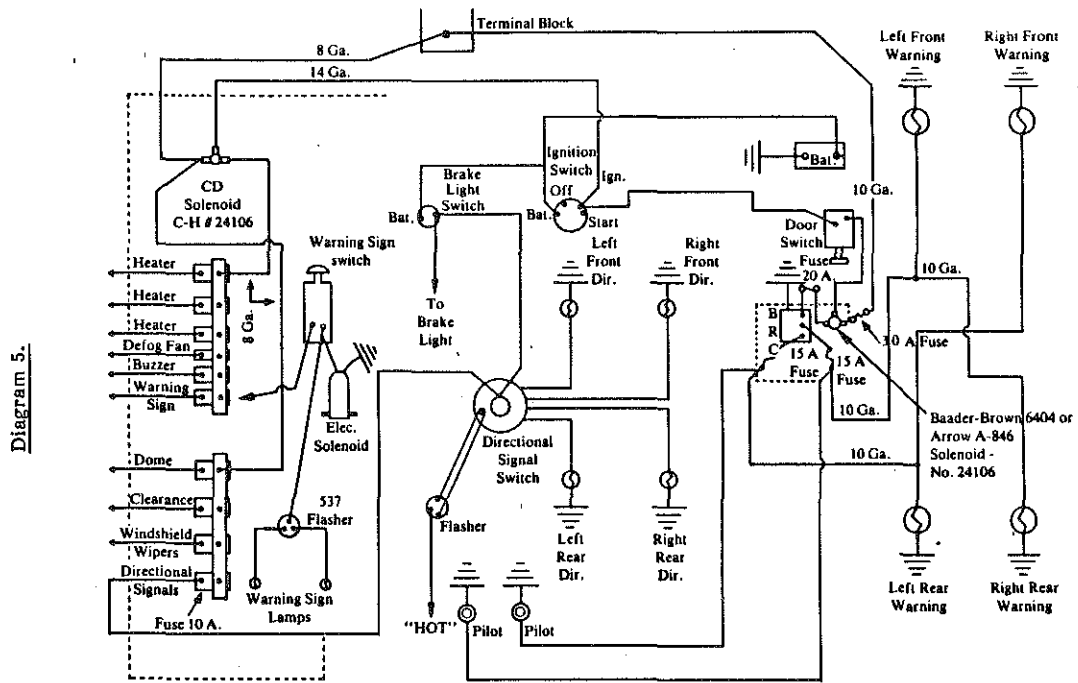
* 4. A continuous duty solenoid relay, Cole Hersee No. 24106 or approved equal, operated by the ignition switch, shall be provided to supply current to the heater, emergency door buzzer, defogging fan, and traffic warning sign - (Circuits 9, 10, 11, and 12).

5. All wires within body shall be insulated and protected by covering of fibrous loom (or equivalent) which will protect them from external damage and minimize dangers from short circuits. Whenever wires pass through body member, additional protection in form of appropriate type of insert shall be provided.

6. All light circuits shall be such as to provide, as nearly as possible, bulb design voltage at lightbulb terminals.

7. Wires shall be fastened securely at intervals of not

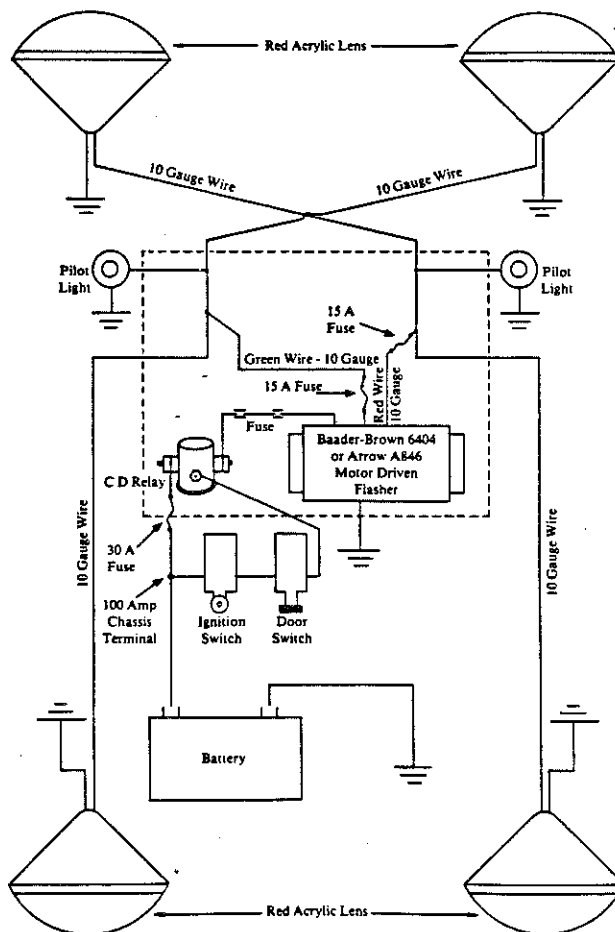
more than 24 inches. All joints shall be soldered or jointed by equally effective connectors.



VIRGINIA SCHOOL BUS BODY WIRING DIAGRAM - 1981

Diagram 6.

WIRING DIAGRAM FOR VIRGINIA SCHOOL BUS TRAFFIC LIGHTS



VIRGINIA HEALTH SERVICES COST REVIEW COUNCIL

Title of Regulation: VR 370-01-001. The Rules and Regulations of the Virginia Health Services Cost Review Council.

Statutory Authority: § 9-164 of the Code of Virginia.

Effective Date: February 25, 1987

Summary:

The Virginia Health Services Cost Review Council has adopted the amendments to the rules and regulations governing the assessment and collection of fees from the Virginia health care institutions. The amendments represent a change in format, organization, and style.

The changes in Part IV, "Filing Requirements and Fee Structure," are necessary for the council to operate the agency in a sound fiscal manner. The changes are designed primarily to alleviate a chronic cash flow problem.

VR 370-01-001. The Rules and Regulations of the Virginia Health Services Cost Review Council.

PART I. DEFINITIONS.

§ 1.1. The following words and terms, when used in these regulations, shall have the following meaning:

"Adjusted patient days" means inpatient days divided by the percentage of inpatient revenues to total patient revenues.

2.01-01. *"Aggregate cost" means the total financial requirements of an institution which shall be equal to the sum of:*

a. 1. The institution's reasonable current operating costs, including reasonable expenses for operating and maintenance of approved services and facilities, reasonable direct and indirect expenses for patient care services, working capital needs and taxes, if any;

b. 2. Financial requirements for allowable capital purposes, including price level depreciation for depreciable assets and reasonable accumulation of funds for approved capital projects;

c. 3. For investor-owned institutions, after tax return on equity at the percentage equal to two times the average of the rates of interest on special issues of public debt obligations issued to the Federal Hospital Insurance Trust Fund for the months in a provider's reporting period, but not less, after taxes, than the rate or weighted average of rates of interest borne by the individual institution's outstanding capital indebtedness. The base to which the rate of return

determined shall be applied is the total net assets, adjusted by paragraph 5-b of this section 2. of this section, without deduction of outstanding capital indebtedness of the individual institution for assets required in providing institutional health care services.

2.01-02 *"Commission" "Council" means the Virginia Health Services Cost Review Commission Council.*

2.01-03 *"Consumer" means any person (i) whose occupation is other than the administration of health activities or the provision of health services (ii) who has no fiduciary obligation to a health care institution or other health agency or to any organization, public or private, whose principal activity is an adjunct to the provision of health services, or (iii) who has no material financial interest in the rendering of health services.*

2.01-04 *"Health care institution" means a general hospital, ordinary hospital, or out-patient surgical hospital licensed pursuant to Chapter 15 of Title 32 § 32-297 et seq. of the Code of Virginia (1950), as amended, and mental or psychiatric hospital licensed pursuant to Chapter 8 of Title 37-1 § 37.1-179 et seq. of the Code of Virginia (1950), as amended, but in no event shall such term be construed to include any physician's office, nursing home, intermediate care facility, extended nursing care facility of a religious body which depends upon prayer alone for healing, independent laboratory or out-patient clinic.*

"Late charge" means a fee that is assessed a health care institution that files its budget, annual report, or charge schedule with the council past the due date.

2.01-05 *"Voluntary cost review organization" means a nonprofit association or other nonprofit entity with a federally exempt tax status which has as its function the review of health care institutions' costs and charges but which does not provide reimbursement to any health care institution or participate in the administration of any review process under Chapter 12-1 of Title 32, Chapter 4 of Title 32.1 of the Code of Virginia, P.L. 93-641, or P.L. 92-603 including the Statewide Health Coordinating Council, Department of Health and any health systems agency.*

2.01-06 *"Patient day" means a unit of measure denoting lodging facilities provided and services rendered to one inpatient, between census-taking-hour on two successive days. The day of admission but not the day of discharge or death is counted a patient day. If both admission and discharge or death occur on the same day, the day is considered a day of admission and counts as one patient day. For purposes of filing fees to the Commission council, newborn patient days would be added. For a medical facility, such as an ambulatory surgery center, which does not provide inpatient services, each patient undergoing surgery during any one twenty-four (24) - hour period will be the equivalent to one patient day.*

PART II. SECTION 1.00

Final Regulations

GENERAL INFORMATION.

1-01 § 2.1. Authority for regulations.

The Virginia Health Services Cost Review Commission Council, which is created by Chapter 26, Title 9, Section §§ 9-156 through 9-166 of the Code of Virginia, (1950), as amended, is required to collect, analyze and make public certain financial data and findings relating to hospitals which operate within the Commonwealth of Virginia. Section 9-164 of the Code of Virginia (1950), as amended, directs the Commission council from time to time to make such rules and regulations as may be necessary to carry out its responsibilities as prescribed in the above referenced Chapter. Code of Virginia.

1-02 § 2.2. Purpose of rules and regulations.

The Commission council has promulgated these rules and regulations to set forth an orderly administrative process by which the Commission council may govern its own affairs and require compliance with the provisions of Chapter 26 of Title 9, §§ 9-156 through 9-166 of the Code of Virginia (1950), as amended.

1-03 § 2.3. Administration of rules and regulations.

These rules and regulations are administered by the Virginia Health Services Cost Review Commission Council.

1-04 § 2.4. Application of rules and regulations.

These rules and regulations have general applicability throughout the Commonwealth. The requirements of the Virginia Administrative Process Act, codified as Chapter 1-1-1 of Title 9, Section . § 9-6.14:1, et seq. of the Code of Virginia (1950), as amended, applied to their promulgation.

1-05 § 2.5. Effective date of rules and regulations.

These rules and regulations or any subsequent amendment, modification, or deletion in connection with these rules and regulations shall become effective thirty (30) days after the Commission council has filed them in accordance with the Virginia Register Act.

1-06 § 2.6. Powers and procedures of regulations not exclusive.

The Commission council reserves the right to authorize any procedure for the enforcement of these regulations that is not inconsistent with the provision set forth herein and the provisions of Chapter 26 of Title 9, Section § 9-156 et seq. of the Code of Virginia (1950), as amended.

PART III SECTION 3-00 COMMISSION COUNCIL PURPOSE AND ORGANIZATION.

3-01 § 3.1. Statement of mission.

The Commission council is charged with the responsibility to promote the economic delivery of high quality and effective institutional health care services to the people of the Commonwealth and to create an assurance that the charges are reasonably related to costs.

The Commission council recognizes that health care institutional costs are of vital concern to the people of the Commonwealth and that it is essential for an effective cost monitoring program to be established which will assist health care institutions in controlling their costs while assuring their financial viability. In pursuance of this policy, it is the Commission's council's purpose to provide for uniform measures on a statewide basis to assist in monitoring the costs of health care institution's without sacrifice of quality of health care services and to analyze the same to determine if charges and costs are reasonable.

3-02 § 3.2. Commission Council chairman.

The Commission council shall annually elect one of its consumer members to serve as chairman. The chairman shall preside at all meeting of the Commission council and shall be responsible for convening the Commission council.

3-03 § 3.3. Vice-chairman.

The Commission council shall annually elect from its membership a vice-chairman who shall assume the duties of the chairman in this latter's his absence or temporary inability to serve.

3-04 § 3.4. Expense reimbursement.

Members of the Commission council shall be entitled to be reimbursed in accordance with state regulations for necessary and proper expenses incurred in the performance of their duties on behalf of the Commission council.

3-05 § 3.5. Additional powers and duties.

The Commission council shall exercise such additional powers and duties as may be specified in Chapter 26, Title 9, the Code of Virginia (1950), as amended.

PART IV SECTION 4-00

VOLUNTARY COST REVIEW ORGANIZATIONS.

4-01 § 4.1. Application.

Any organization desiring approval as a voluntary rate review organization may apply for approval by using the following procedure:

4-01-01 1. Open application period. A voluntary cost review organization may apply for designation as an approved voluntary cost review organization to be granted such duties as are prescribed in § 9-162 of the

Code of Virginia.

4-01-02 2. Contents of application. An application for approval shall include:

a. Documentation sufficient to show that the applicant complies with the requirements to be a voluntary cost review organization: including copies of its Commonwealth of Virginia Charter, bylaws, and evidence of its nonprofit status. Full financial reports for the one year preceding its application must also be forwarded. If no financial reports are available, a statement of the projected cost of the applicant's operation with supporting data must be forwarded;

b. If any of the organization's directors or officers have or would have a potential conflict of interests affecting the development of an effective cost monitoring program for the ~~Commission~~ council, statements must be submitted with the application to fully detail the extent of the other { conflicting } interest;

c. A detailed statement of the type of reports and administrative procedures proposed for use by the applicant;

d. A statement of the number of employees of the applicant including details of their classification; and

e. Any additional statements or information which is necessary to ensure that the proposed reporting and review procedures of the applicant are satisfactory to the ~~Commission~~ council.

4-02 § 4.2. Review of application.

4-02-01 A. Designation. Within 45 calendar days of the receipt of an application for designation as a voluntary cost review organization, the ~~Commission~~ council shall issue its decision of approval or disapproval. Approval by the ~~Commission~~ council shall take effect immediately.

4-01-02 B. Disapproval. The ~~Commission~~ council may disapprove any application for the reason that the applicant has failed to comply with application requirements, or that the applicant fails to meet the definition of a cost review organization, or fails to meet the specifications cited in paragraph 4-01 A. above concerning application contents or that the cost and quality of the institutional reporting system proposed by the applicant are unsatisfactory.

4-01-03 C. Reapplication. An organization whose application has been disapproved by the ~~Commission~~ council may submit a new or amended application to the ~~Commission~~ council within 15 calendar days after disapproval of the initial application. An organization may only reapply for approval on one occasion during any

consecutive 12 - month period.

4-03 § 4.3. Annual review of applicant.

4-03-01 A. By March 31 of each year, any approved voluntary cost review organization for the calendar year then in progress which desires to continue its designation shall submit an annual review statement of its reporting and review procedures.

4-03-02 B. The annual review statement shall include:

a. 1. Attestation by the applicant that no amendments or modifications of practice contrary to the initially approved application have occurred; or

b. 2. Details of any amendments or modifications to the initially approved application, which shall include justifications for these amendments or modifications.

4-03-03 C. The ~~Commission~~ council may require additional information from the applicant supporting that the applicant's reports and procedures are satisfactory to the ~~Commission~~ council.

4-04 § 4.4. Revocation of approval.

The ~~Commission~~ council may revoke its approval of any cost review organization's approval when the review procedures of that organization are no longer satisfactory to the ~~Commission~~ council or for the reason that the voluntary cost review organization could be disapproved under 4-02-02 §4.2.B of these regulations.

4-05 § 4.5. Confidentiality.

A voluntary cost review organization approved as such by the ~~Commission~~ council shall maintain the total confidentiality of all filings made with it required by these regulations or law. The contents of filings or reports summaries and recommendations generated in consequence of the ~~Commission's~~ council's regulations may be disseminated only to members of the ~~Commission~~ council, the ~~Commission's~~ council's staff and the individual health care institution which has made the filings or which is the subject of a particular report.

PART V SECTION 5-00 CONTRACT WITH VOLUNTARY COST REVIEW ORGANIZATION

5-01 § 5.1. Purpose.

It is the intention of the ~~Commission~~ council to exercise the authority and directive of Section § 9-163 of the Code of Virginia (1950), as amended, whereby the ~~Commission~~ council is required to contract with any voluntary cost review organization for services necessary to carry out the ~~Commission's~~ council's activities where this will promote economy and efficiency, avoid duplication of effort, and

Final Regulations

make best use of available expertise.

5.02 § 5.2. Eligibility.

In order for a voluntary cost review organization to be eligible to contract with the ~~Commission~~, ~~council~~, it shall have met all other requirements of §§ 4.1 and 4.5 of these regulations relating to voluntary cost review organization and have been approved as such an organization.

5.03 § 5.3. Contents of contract.

The written agreement between the ~~Commission~~ ~~council~~ and any voluntary cost review organization shall contain such provisions which are not inconsistent with these regulations or law as may be agreed to by the parties. Any such contract shall be for a period not to exceed five years.

PART VI SECTION 6.00

FILING REQUIREMENTS AND FEE STRUCTURE.

6.01 Filing Requirements for Health Care Institutions

~~6.01.01~~ § 6.1. Each health care institution shall file an annual report of revenues, expenses, other income, other outlays, assets and liabilities, units of service, and related statistics as prescribed in § 9-158 ; of the Code of Virginia (1950) and as described and illustrated in the attached forms of the ~~Commission~~ on forms provided by the council together with the certified audited financial statements (or equivalents) as prescribed in § 9-159 ; of the Code of Virginia (1950) , which shall be received by the council no later than 120 days after the end of the respective applicable health care institution's fiscal year. Extensions of filing times may be granted for extenuating circumstances upon a health care institution's written application for a 30- to 60- day extension. Such request for extension shall be filed no later than 90 days after the end of a health care institution's fiscal year.

§ 6.2. Each health care institution shall file annually a projection (budget) of annual revenues and expenditures as prescribed in § 9-161 B of the Code of Virginia on forms provided by the council. The institution's projection (budget) shall be received by the council no later than 60 days before the beginning of its respective applicable fiscal year.

~~6.01.02~~ § 6.3. Each health care institution shall file annually , no later than 10 days after the beginning of their respective applicable fiscal year, a schedule of charges to be in effect on the first day of such fiscal year, as prescribed in § 9-161 D of the Code of Virginia (1950) . The institution's schedule of charges shall be received by the council no later than 10 days after the beginning of its respective applicable fiscal year. A projection (budget) of annual revenues and expenditures as prescribed in § 9-161 B, Code of Virginia, and as described and illustrated in the attached forms of the ~~Commission~~,

shall be filed annually by Health Care Institutions at least, but no later than 60 days before the beginning of their respective applicable fiscal year.

Any subsequent amendment or modification to the annually filed schedule of charges shall be filed at least 60 days in advance of its effective date, together with supporting data justifying the need for the amendment. (Changes in charges which will have a minimal impact on revenues are exempt from this requirements requirement .)

~~6.01.03~~ § 6.4. All filings prescribed in § ~~6.01.01~~ § 6.1 and § ~~6.01.02~~ § 6.2 above of these regulations will be made to the ~~Commission~~ ~~council~~ for its transmittal to any approved voluntary cost review organization described in ~~Section 4.00~~ Part IV of these regulations.

~~6.01.04~~ § 6.5. A filing fee based on a per patient day an adjusted patient days rate to shall be set annually by the ~~Commission~~ ~~council~~, based on the needs to meet annual ~~Commission~~ ~~council~~ expenses ; shall be paid to the ~~Commission~~ at the same time that the Health Care Institution files its annual report under the provisions of ~~6.01.01~~ . The fee shall be established and reviewed at least annually and reviewed for its sufficiency at least annually by the council. All fees should shall be paid directly to the ~~Commission~~ ~~council~~.

§ 6.6. Fifty percent of the filing fee shall be paid to the council at the same time that the health care institution files its budget under the provisions of § 6.2 of these regulations. The balance of the filing fee shall be paid to the council at the same time the health care institution files its annual report under the provisions of § 6.1 of these regulations. When the council grants the health care institution an extension, the balance of the filing fee shall be paid to the council no later than 120 days after the end of the respective applicable health care institution's fiscal year.

§ 6.7. A late charge of \$10 per working day shall be paid to the council by a health care institution that files its budget or annual report past the due date.

§ 6.8. A late charge of \$50 shall be paid to the council by the health care institution that files the charge schedule past the due date.

PART VII SECTION 7.00 WORK FLOW AND ANALYSIS WORK FLOW AND ANALYSIS.

~~7.01~~ § 7.1. The annual report date filed by health care institutions as prescribed in § ~~6.01.01~~ § 6.1 of these regulations shall be analyzed as directed by the ~~Commission~~ ~~council~~. Summarized analyses and comments shall be reviewed by the ~~Commission~~ ~~council~~ at a scheduled ~~Commission~~ ~~council~~ meeting within approximately 75 days after receipt of properly filed data, after which these summaries and comments, including

~~Commission council~~ recommendations, may be published and disseminated as determined by the ~~Commission council~~. The health care institution which is the subject of any summary, report, recommendation or comment shall receive a copy of same at least 10 days prior to the meeting at which the same is to be considered by the ~~Commission council~~.

7.02 § 7.2. The annual schedule of charges and projections (budget) of revenues and expenditures filed by health care institutions as prescribed in § 6.01-92 § 6.2 of these regulations shall be analyzed as directed by the ~~Commission council~~. Summarized analyses and comments shall be reviewed by the ~~Commission council~~ at a scheduled ~~Commission council~~ meeting within approximately 75 days after receipt of properly filed data, after which these summaries and comments, including ~~Commission council~~ recommendations will be published and disseminated by the ~~Commission council~~. Amendments or modifications to the annually filed schedule of charges shall be processed in a like manner and reviewed by the ~~Commission council~~ no later than 50 days after receipt of properly filed amendments or modifications. Any health care institution which is the subject of summaries and findings of the ~~Commission council~~ shall be given upon request an opportunity to be heard before the ~~Commission council~~.

PART VIII
SECTION 8.00
PUBLICATION AND DISSEMINATION OF
INFORMATION RELATED TO HEALTH CARE
INSTITUTIONS.

8.01 § 8.1. The staff findings and recommendations and related ~~Commission council~~ decisions on individual health care institutions' annual historical data findings will be kept on file at the ~~Commission council~~ office for public inspection. However, the detailed annual historical data filed by the individual health care institutions will be excluded from public inspection in accordance with the provision § 9-159 B, Chapter 16, Title 9, of the Code of Virginia.

8.01 § 8.2. Periodically, but at least annually, the ~~Commission council~~ will publish the rates charged by each hospital in Virginia for at least each of the 25 most frequently used hospital services in Virginia, including each hospital's average semi-private and private room rates. The data will be summarized by ~~type and size of institution~~ and geographic area in Virginia, and will be kept on file at the ~~Commission council~~ office for public inspection and made available to the news media. In addition, annual charge schedules and subsequent amendments to these schedules filed under the provisions of § 6.01-91 § 6.3 of these rules and regulations will be kept on file at the ~~Commission council~~ office for public inspection. Staff findings and recommendations and related ~~Commission council~~ decisions on changes to health care institutions' rates and charges will also be kept on file at the ~~Commission council~~ office for public inspection and

available to the news media.

8.03 Periodically, but at least annually, the ~~Commission~~ will publish selected comparative historical summary cost and revenue data by type and size of institution and geographic area in Virginia, as well as in total, without specific individual hospital identification. Said summaries will be distributed to the health care institutions and go on file at the ~~Commission~~ office for public inspection.

§ 8.3. Periodically, but at least annually, the council will publish an annual report which will include, but not be limited to the following: cost per admission comparison, cost per patient day comparison, Virginia's hospital costs compared with other states, percentage increase in cost per patient day, budget and historical reports reviewed, interim rate changes, excess operating expenses, revenue reduction recommendations, operating profits and losses, deductions from revenue (contractuals, bad debts, and charity care) and hospital utilization.

8.04 § 8.4. The staff findings and recommendations and related ~~Commission council~~ decisions on individual health care institutions' annual budget and related rate filings will be kept on file at the ~~Commission council~~ office for public inspection. However, the detailed annual budget data filed by the individual health care institutions will be excluded from public inspection.

8.05 § 8.5. The ~~Commission council~~ may release historical financial and statistical data reported by health care institutions to state or federal commissions or agencies based on individual, specific requests, and the merit of such requests. Requests must list the purpose for which the requested data is to be used to permit the ~~Commission council~~ to reach a valid decision on whether or not the data requested will fit the need and should, therefore, be made available. Under no circumstances will data be released which contains "personal information" as defined in § 2.1-379(2) of the Code of Virginia.

8.06 § 8.6. The ~~Commission council~~ shall not release prospective (budgeted) financial and statistical data reported by health care institutions to anyone, except for the staff findings and recommendations as provided for in paragraph 8.04 § 8.4 above of these regulations.

8.07 § 8.7. The provisions of paragraph 8.06 § 8.5 above of these regulations will also apply to recognized and designated health systems agencies (HSAs) and professional standards review organizations (PSROs) in the Commonwealth of Virginia, provided that the data requested have a definite bearing on the functions of these organizations.

8.08 § 8.8. No data, beyond that specified in paragraphs 8.01 §§ 8.1 through 8.04 § 8.4 above of these regulations will be released to other nongovernmental organizations and entities, except that data deemed pertinent by the ~~Commission council~~ in negotiations with third-party payors such as Blue Cross/Blue Shield, commercial insurers, etc.

Final Regulations

Such pertinent data may be released and used on an exception, as needed, basis.

~~8.00~~ § 8.9. Except for data specified in paragraphs 8.01-
§§ 8.1 through 8.04 8.4 of these regulations available to
anyone, the ~~Commission~~ council shall have a right to
furnish data , { or refuse to furnish data } , based on
merit of the request and ability to furnish data based on
data and staff time availability. The ~~Commission~~ council
may levy a reasonable charge to cover costs incurred in
furnishing any of the data described in this section of the
rules and regulations.

EMERGENCY REGULATION

DEPARTMENT OF SOCIAL SERVICES

Title of Regulation: Emergency Regulation Governing Eligibility Determination Definition of Home Ownership or Contiguous Property.

Effective Date: January 1, 1987 through March 31, 1987

Background:

The 1985 General Assembly deliberated at length on the definition of a home as this term affects Medicaid eligibility. These deliberations centered on legislation introduced in the 1984 session by Delegate Ford Quillen (HB 473) and legislation introduced in the Senate in the 1985 session by Senator Robert Scott (SB 605). A compromise was reached by the 1985 General Assembly which passed an amended version of House Bill 473 and included in Chapter 532, Acts of Assembly, 1985, the definition of a home as "a house and lot used as the principal residence and all contiguous property as long as the value of the land exclusive of the lot occupied by the house, does not exceed \$5,000."

The General Assembly also included language in the Appropriation Act, Chapter 643, Item 470 as follows: "The Board of Social Services shall modify the restriction on eligibility for Aid to Dependent Children relative to contiguous property, consistent with Senate Bill 605/House Bill 473."

In implementing these two chapters of the 1985 Acts of Assembly, the Boards of Medical Assistance Services and Social Services adopted slightly different versions for the definition of the term "lot." When this was discovered, staff, the agency heads and respective counsel worked together to develop a standard definition. Advice was also sought from the Chairs of the House Appropriations Committee and the Senate Finance Committee. These actions resulted in the agreed to definition for "lot": "in localities where no minimum building lot requirement exists, a lot shall be a measure of land designated on a plat or survey or one acre, whichever is less."

The Department of Social Services published first its proposed regulation. Immediate feedback from the local departments of social services indicated that the phrase "whichever is less" would cause considerable administrative difficulty. In light of this, the Department of Medical Assistance Services agreed with the Department of Social Services to publish its proposed regulation without the troublesome phrase and the Department of Social Services would remove the phrase from its regulation when going to the final APA stage.

The Department of Medical Assistance Services published its proposed regulations in the Virginia Register of August 18, 1986. During the executive

review, further examination of the Department of Medical Assistance Services regulation by the Department of Planning and Budget, the Department of Social Services and the Department of Medical Assistance Services and legal counsel, resulted in the decision that the Department of Medical Assistance Services proposed regulations should be withdrawn and re-issued with wording identical to the emergency regulations approved by Governor Charles Robb on November 30, 1985.

During this same period, the Department of Social Services received instructions from the federal Department of Health and Human Services that the \$5,000 limit violated federal ADC regulations, and Legal Aid instituted legal proceedings against the Department of Medical Assistance Services charging that the home definition passed by the General Assembly violated federal statutory requirements. These actions further delayed the Departments' filing of final regulations, and will require General Assembly action to amend the statutes.

Definition of Emergency:

The current emergency regulation will expire on December 31, 1986. Another emergency regulation is needed in order to permit the Departments of Medical Assistance Services and Social Services to complete promulgation of the proposed and final regulations in accordance with the requirements of the Code of Virginia Administrative Process Act. Therefore, the Governor is requested to approve the adoption of an emergency regulation using language identical to that approved by Governor Robb on November 30, 1985, in accordance with § 9-6.14:4:1 C (5). Without this approval, the Departments will have no legal regulation implementing the 1985 Acts of Assembly. Thus, no statutory authority would exist for the proper administration of this aspect of the Medicaid and ADC programs. Both departments could be exposed to litigation.

Approval Sought for VR 460-03-2.6152:

Approval of the Governor is sought for the emergency modification of Department of Medical Assistance Services and Department of Social Services regulations in accordance with the Code of Virginia, § 9-6.14:4:1 C (5) to adopt the following definition. The Board shall include in this plan a requirement that:

"In determining eligibility, a home shall be disregarded. A home means the house and lot used as the principal residence and contiguous property as long as the value of the land, exclusive of the lot occupied by the house, does not exceed \$5,000. The lot occupied by the house shall be a measure of land as designated on a plat or survey or whatever the locality sets as a minimum size for a building lot, whichever is less. In localities where no minimum

Emergency Regulation

building lot requirement exists, a lot shall be a measure of land designated on a plat or survey or one acre, whichever is less."

Implementation:

After the Governor's approval is given, the Departments of Medical Assistance Services and Social Services will publish as soon as possible the proposed regulations in the Virginia Register. The effective period of the emergency regulations will be limited to three months or until full compliance with provisions of the APA process in § 9-6.14.1 of the Code of Virginia are met, whichever occurs first. This emergency regulation is to become effective on January 1, 1987, and to remain in effect for three months unless superseded by an Act of the General Assembly or subsequent regulations.

After the Governor's approval is given, the Departments of Social Services and Medical Assistance Services will request that the General Assembly amend the statutory wording to conform with federal requirements.

Submitted by: /s/ Ray T. Sorrell, Director
Department of Medical Assistance Services

/s/ William L. Lukhard, Commissioner
Department of Social Services
Date: December 19, 1986

Approved: /s/ Gerald L. Baliles
Governor of Virginia
Date: December 24, 1987

Filed With: /s/ Joan W. Smith
Registrar of Regulations
Date: December 29, 1986 - 9:15 a.m.

* * *

VIRGINIA STATE PLAN UNDER TITLE XIX OF THE SOCIAL SECURITY ACT

METHODOLOGIES FOR TREATMENT OF INCOME AND RESOURCES THAT DIFFER FROM THOSE OF THE SSI PROGRAM

100. Income and Resource Requirements Applicable to all Groups.

The value of real and personal property resources owned by the applicant/recipient may not exceed \$1,600.00 for a single person, \$2,400.00 for a couple or two-person family unit. For each additional person in the family unit, an additional \$100.00 in resources is allowed.

Real or personal property of a spouse is considered

available to a spouse if they are living together. Real or personal property of a parent living in the home is considered available to his/her child(ren), except property owned by an SSI recipient is not considered available to his/her children in determining their eligibility for Medicaid.

No lien may be imposed or any encumbrance placed upon any property, real or personal, owned by a recipient of medical assistance except pursuant to a court judgment on account of benefits incorrectly paid.

For income-producing property and other nonresidential property, appropriate equity and profit is to be determined by the pro rata share owned by an individual in relation to his proportionate share of the equity and profit.

Property in the form of an interest in an undivided estate is to be regarded as an asset unless it is considered unseizable for reasons other than being an undivided estate. An heir can initiate a court action to partition. However, if such an action would not result in the applicant/recipient securing title to property having value substantially in excess of the cost of the court action, the property would not be regarded as an asset.

The current market value of real property is determined by ascertaining the tax assessed value of the property and applying to it the local assessment rate. The equity value is the current market value less the amount due on any recorded liens against the property. "Recorded" means written evidence that can be substantiated, such as deeds of trust, liens, promissory notes, etc.

The following limitations apply to income and resources in addition to the income and resource requirements of the Supplemental Security Income (SSI) program for the aged, blind and disabled, and of the Aid to Dependent Children (ADC) cash assistance program for all other individuals:

200. Aged, Blind, and Disabled (SSI related) Individuals.

201. Real Property.

201.1. Home Ownership. Ownership of a dwelling occupied by the applicant as his home does not affect eligibility. A home means the house and lot. In rural areas, one acre is regarded as the equivalent of a lot. Additional land may be included as part of the home if the adjoining land and/or outbuildings are essential to the dwelling. The home does not include land used for farming or business purposes. Land used for the following purposes is considered essential to the dwelling:

a) Land used for the regular production of any food or goods for the household's consumption only, including:

i. Vegetable gardens;

- ii. Pastureland which supports livestock raised for milk or meat, and land used to raise chickens, pigs, etc. The amount of land necessary to support such animals is established by the local extension service;
 - iii. Outbuildings used to process and/or store any of the above.
- b) Driveways which connect the homesite to public roadways;
 - c) Land necessary to the homesite to meet local zoning requirements (e.g. building sites, mobile home sites, road frontage, distance from road etc.);
 - d) Land necessary for compliance with state or local health requirements (e.g., distance between home and septic tank, distance between septic tanks, etc.);
 - e) Water supply source for the household; and
 - f) Existing burial plots.

All of the above facts must be fully evaluated and documented in the case record before the homesite determination is made.

201.2. Income-Producing Real Property Other than the Home does not affect eligibility if:

- A) It is used in a trade or business or is otherwise income-producing and
- B) The equity value (current market value less the balance of any recorded lien(s) against the property) of the property does not exceed \$6,000.00, and
- C) The property produces a net annual income to the individual of at least 6% of the property's equity value.

GOVERNOR

GOVERNOR'S COMMENTS ON PROPOSED REGULATIONS

(Required by § 9-6.12:9.1 of the Code of Virginia)

VIRGINIA HEALTH SERVICES COST REVIEW COUNCIL

Title of Regulation: **VR 370-01-001. Rules and Regulations of the Virginia Health Services Cost Review Council.**

Governor's Comment:

The regulations appear carefully drawn to implement statutory amendments made during the 1986 General Assembly session and to ensure that the Council is operated in a sound fiscal manner. Because of the positive impact and policy considerations addressed by these regulations, I have no objections to these proposals as presented.

/s/ Gerald L. Baliles
December 15, 1986

DEPARTMENT OF MEDICAL ASSISTANCE SERVICES

Title of Regulation: **Rehabilitative Services.**

Governor's Comment:

The regulations appear carefully drawn to allow Medicaid recipients who are in need of and would benefit from rehabilitative services to receive those services inside of the Commonwealth. Because of the positive impact and policy considerations addressed by these regulations, I have no objections to these proposals as presented.

/s/ Gerald L. Baliles
December 19, 1986

GENERAL NOTICES/ERRATA

Symbol Key †

† Indicates entries since last publication of the Virginia Register

VIRGINIA DEPARTMENT OF AGRICULTURE AND CONSUMER SERVICES

† Notice of Intended Regulatory Action

Notice is hereby given in accordance with this agency's public participation guidelines that the Virginia Department of Agriculture and Consumer Services intends to consider amending regulations regarding the use of **Furadan 15-G**. The reason for the proposed amendments is the possible need to further regulate the sale and use of carbofuran pesticides, i.e., Furadan 15-G an insecticide/nematicide.

Statutory Authority: §§ 3.1-217 and 3.1-217.1 (Virginia Pesticide Law) of the Code of Virginia.

Written comments may be submitted until February 20, 1987.

Other pertinent information: At its regulatory scheduled meeting on December 10, 1986, the Virginia Board of Agriculture and Consumer Services authorized the Virginia Department of Agriculture and Consumer Services to proceed with developing and filing with the Registrar of Regulations a Notice of Intent to consider regulations regarding the use of carbofuran pesticides, namely Furadan 15-G.

The department is seeking scientific data, comments, or suggestions about Furadan 15-G. The department will report to the board on the comments received after which the board may determine the future course of action.

During the past 24 months, Furadan 15-G, an insecticide/nematicide known to be highly toxic to avian species, has been confirmed as the cause of death to two bald eagles. Also, it is highly suspected in the nonfatal poisoning of one bald eagle. The registered label indicates that the pesticide is toxic to fish, birds, and other wild life. Furadan 15-G, one of several granular carbofuran formulations, but the only formulation registered in Virginia, is commonly used on such crops as corn, sorghum, tobacco, and peanuts. The product is labeled for incorporation into the soil at planting time.

Even though there are alternative chemicals, Furadan 15-G is used extensively in Virginia and is favored by farmers for its versatility and efficiency. Furadan 15-G is a restricted use pesticide and can be legally used only by, or under the supervision of, a licensed pesticide

applicator. The Environmental Protection Agency (EPA) is currently conducting a special review of all granular carbofuran formulations. This study is not expected to be completed until late 1987.

Anyone having scientific data, relevant facts, comments, views or opinions regarding the use of Furadan 15-G in Virginia is invited to submit data or comments to the Virginia Department of Agriculture and Consumer Services, Office of Pesticide Regulation, P.O. Box 1163, Room 403, Richmond, Virginia 23209. Data and comments submitted will be reviewed by the department and reported to the Board of Agriculture. The board may then determine the future course of action regarding the use of Furadan 15-G in Virginia.

In the interim, the board instructed the department to work closely with the Extension Service and pesticide manufacturers to encourage an aggressive education effort warning users of possible problems and emphasizing the necessity of strict adherence to label directions to assure safe use of Furadan 15-G.

Contact: William E. Walls, Supervisor, Office of Pesticide Regulation, Department of Agriculture and Consumer Services, P.O. Box 1163, Room 403, Richmond, Va. 23209, telephone (804) 786-3798

STATE BOARD OF EDUCATION

Notice of Intended Regulatory Action

Notice is hereby given in accordance with this agency's public participation guidelines that the State Board of Education intends to consider amending regulations entitled: **Regulations of the Board of Education**. The Board of Education is currently undergoing an extensive regulatory review and is reviewing all of its existing regulations. The purpose of this review is to reduce the burden imposed by regulations, improve their clarity, and evaluate their effectiveness in meeting their stated purpose. Comments are encouraged to help identify regulations of the board that are unclear, duplicative, or in conflict with regulations of other state agencies or the federal government.

Statutory Authority: § 22.1-16 of the Code of Virginia.

Written comments may be submitted until February 15, 1987.

General Notices/Errata

Contact: Joseph D. Roberts, Director of Audit Services,
Department of Education, P.O. Box 6-Q, Richmond, Va.
23216-2060, telephone (804) 225-4506 or (SCATS 335-4506)

BOARD OF HOUSING AND COMMUNITY DEVELOPMENT

Notice of Intended Regulatory Action

Notice is hereby given in accordance with this agency's public participation guidelines that the Board of Housing and Community Development intends to consider amending regulations entitled: **1984 Editions of the Uniform Statewide Building Code, Volumes I and II; Public Building Safety Regulations; Industrialized Building and Mobile Home Safety Regulations; LP Gas Regulations; and the Tradesmen Certification Standards.** The purpose of these amendments is to provide safety standards for the construction and maintenance of buildings and structures; provide safety standards for the handling and storage of LP Gas; and to provide standards for the certification of building related tradesmen.

Statutory Authority: Article 1 (§ 36.97 et seq.) of Chapter 6 of the Code of Virginia.

Written comments may be submitted until April 30, 1987.

Contact: Jack A. Proctor, CPCA Deputy Director, DBRS,
Department of Housing and Community Development, 205
N. Fourth St., Richmond, Va. 23219, telephone (804)
786-4751

Notice of Intended Regulatory Action

Notice is hereby given in accordance with this agency's public participation guidelines that the Board of Housing and Community Development intends to promulgate regulations entitled: **(1) The Virginia Amusement Device Regulations and (2) The Virginia Statewide Fire Prevention Code.** The purpose of the proposed amendment is to (i) provide safety standards for the construction, maintenance, operation and inspection of amusement devices and to provide standards for the certification of amusement device inspectors; and (ii) provide safety standards to safeguard life and property from the hazards of fire or explosion.

Statutory Authority: (1) § 36-98.3 and (2) § 27-97 of the Code of Virginia.

Written comments may be submitted until April 30, 1987.

Contact: Jack A. Proctor, Deputy Director, DBRS,
Department of Housing and Community Development, 205
N. Fourth St., Richmond, Va. 23219, telephone (804)
786-4751.

DEPARTMENT OF MENTAL HEALTH AND MENTAL RETARDATION

† Notice of Intended Regulatory Action

Notice is hereby given in accordance with this agency's public participation guidelines that the Department of Mental Health and Mental Retardation intends to consider promulgating regulations entitled: **1) Rules and Regulations for the Licensure of Residential Facilities; 2) Rules and Regulations for the Licensure of Supported Residential Programs; 3) Rules and Regulations for the Licensure of Day Support Programs; and 4) Rules and Regulations for the Licensure of Outpatient Services.** The purpose of the four sets of rules and regulations is to ensure that clients participating in community treatment and residential care facilities within the Commonwealth of Virginia are served in safe environments by qualified staff and to establish standards of quality for the programs provided in such facilities.

Statutory Authority: §§ 37.1-179 through 37.1-183.1 of the Code of Virginia.

Written comments may be submitted until February 20, 1987, to Barry Craig, Director of Licensure, Department of Mental Health and Mental Retardation, P.O. Box 1797, Richmond, Virginia 23214.

Contact: Rubyjean Gould, Administrative Services Director,
Department of Mental Health and Mental Retardation, P.O.
Box 1797, Richmond, Va. 23214, telephone (804) 786-3915

† Notice of Intended Regulatory Action

Notice is hereby given in accordance with this agency's public participation guidelines that the Department of Mental Health and Mental Retardation intends to consider repealing regulations entitled: **1) Community Programs for Mentally Retarded; 2) Community Mental Health Programs Standards; 3) Community Substance Abuse Programs Standards upon promulgation of new Licensure Standards.** The purpose of the proposed repeal is to update current regulations for licensure.

Statutory Authority: §§ 37.1-179 through 37.1-183.1 of the Code of Virginia.

Written comments may be submitted until February 20, 1987, to Barry Craig, Director of Licensure, Department of Mental Health and Mental Retardation, P.O. Box 1797, Richmond, Virginia 23214.

Contact: Rubyjean Gould, Administrative Services Director,
Department of Mental Health and Mental Retardation, P.O.
Box 1797, Richmond, Va. 23214, telephone (804) 786-3915

DEPARTMENT OF REHABILITATIVE SERVICES

Notice of Intended Regulatory Action

Notice is hereby given in accordance with this agency's public participation guidelines that the Department of Rehabilitative Services intends to promulgate regulations entitled: **Provision of Vocational Rehabilitation Services**. The purpose of the proposed regulations is to establish policies, procedures and requirements governing the provision of services to disabled persons.

Statutory Authority: §§ 51.01-8 through 51.01-30 of the Code of Virginia.

Written comments may be submitted until January 30, 1987, to Charles H. Merritt, Assistant Commissioner, Department of Rehabilitative Services, P.O. Box 11045, Richmond, Va. 23230

Contact: Jim Hunter, Board Administrator, Department of Rehabilitative Services, P.O. Box 11045, Richmond, Va. 23230, telephone (804) 257-6446 (toll-free 1-800-552-5019)

DEPARTMENT OF SOCIAL SERVICES (BOARD OF)

Notice of Intended Regulatory Action

Notice is hereby given in accordance with this agency's public participation guidelines that the Department of Social Services intends to consider amending regulations entitled: **Minimum Standards for Licensed Child Care Centers**. The purpose of the regulation is to identify standards applicable to centers providing child care on an occasional basis only.

Statutory Authority: § 63.1-196.4 of the Code of Virginia.

Written comments may be submitted until January 21, 1987.

Contact: Meredyth P. Partridge, Program Development Supervisor, Division of Licensing Programs, 8007 Discovery Dr., Richmond, Va. 23229-8699, telephone (804) 281-9025

VIRGINIA DEPARTMENT FOR THE VISUALLY HANDICAPPED

Notice of Intended Regulatory Action

Notice is hereby given in accordance with this agency's public participation guidelines that the Virginia Department for the Visually Handicapped intends to consider

promulgating regulations entitled: (1) **Regulations Governing Education Service**, (2) **Regulations Governing Vocational Rehabilitation**, and (3) **Regulations Governing Low Vision**. The purpose of the proposed regulations is to establish policies, procedures, and requirements governing the provision of services to blind and visually impaired persons in the areas of Education, Vocational Rehabilitation and Low Vision.

Statutory Authority: § 63.1-68, 63.1-71, and 63.1-78 of the Code of Virginia.

Written comments may be submitted until January 30, 1987.

Contact: David H. Kennedy, Assistant Program and Policy Specialist, Virginia Department for the Visually Handicapped, 397 Azalea Avenue, Richmond, Va. 23227, telephone (804) 264-3140.

† Notice of Intended Regulatory Action

Notice is hereby given in accordance with this agency's public participation guidelines that the Virginia Department for the Visually Handicapped intends to promulgate regulations entitled: 1) **Regulations Governing Rehabilitation Teaching**; 2) **Regulations Governing Independent Living**; 3) **Regulations Governing Intake and Social Services**, 4) **Regulations Governing Library Services for the Blind and Physically Handicapped**. The purpose of the proposed regulations is to establish policies, procedures and requirements governing the provision of services to blind and visually impaired persons in the areas of Rehabilitation Teaching, Independent Living and Intake and Social Services, and Library Services for the Blind and Physically Handicapped.

Statutory Authority: §§ 63.1-78 and 63.1-79 of the Code of Virginia.

Written comments may be submitted until March 31, 1987.

Contact: David H. Kennedy, Assistant Program Director, Virginia Department for the Visually Handicapped, 397 Azalea Avenue, Richmond, Va. 23227, telephone (804) 264-3140

STATE WATER CONTROL BOARD

Notice of Intended Regulatory Action

Notice is hereby given in accordance with this agency's public participation guidelines that the State Water Control Board intends to consider promulgating regulations entitled: **Regulations for the Reporting of Ground Water Withdrawals Greater Than 300,000 Gallons of Water Per Month for Agricultural and Livestock Purposes in**

General Notices/Errata

Ground Water Management Areas. The purpose of these regulations will be to more accurately and fully assess the withdrawal of ground water in Ground Water Management Areas.

Statutory Authority: § 62.1-44.87 of the Code of Virginia.

Written comments may be submitted until February 20, 1987.

Contact: Gerard Seeley, Jr., Ground Water Program Manager, Virginia Water Control Board, 2111 N. Hamilton St., Richmond, Va. 23230, telephone (804) 257-6306

Notice of Intended Regulatory Action

Notice is hereby given in accordance with this agency's public participation guidelines that the State Water Control Board intends to consider amending regulations entitled: **Rules of the Board and Standards for Water Wells.** The purpose of amending the regulations is to (i) delete well standards that will be required as part of § 32.1-176.5 (State Health Department's Well Construction Permit Program); (ii) add agriculture/livestock ground water withdrawal requirements; and (iii) amend and clarify the existing regulations.

Statutory Authority: § 62.1-44.92 of the Code of Virginia.

Written comments may be submitted until February 20, 1987.

Contact: Russell P. Ellison, III, UST Project Manager, Virginia Water Control Board, 2111 N. Hamilton St., Richmond, Va. 23230, telephone (804) 257-6350

GENERAL NOTICES

NOTICE TO THE PUBLIC

DEPARTMENT OF WASTE MANAGEMENT

Notice is hereby given in accordance with § 9-6.14:7.1 of the Code of Virginia (Administrative Process Act) that the Virginia Waste Management Board intends to amend the regulations entitled: **Virginia Hazardous Waste Management Regulations.**

The proposed Amendment 8 to these regulations includes changes to the U.S. Environmental Protection Agency's regulations on solid and hazardous waste management. These new provisions enacted by U.S. EPA during 1985-86, require that changes be made to existing, April 1, 1985, state regulations. These proposed changes maintain consistency with the federal program, as required.

STATEMENT

Amendment 8 to the Virginia Hazardous Waste Management Regulations

Basis and authority: Section 10-266.11 (Chapter 24, Title 10) of the Code of Virginia directs the Virginia Waste Management Board to promulgate such regulations as may be necessary. Extensive changes in the federal regulations as may be necessary. Extensive changes in the federal regulations promulgated in 1985-86 necessitates an amendment which keeps the Virginia Hazardous Waste Management program consistent with these federal requirements, thus preserving the final authorization granted to the Virginia program, and maintaining its independent authority to enforce the Resource Conservation and Recovery Act (RCRA) provisions here in the Commonwealth.

Purpose: The Virginia Waste Management Board and the Executive Director of the Virginia Department of Waste Management Board and the Executive Director of the Virginia Department of Waste Management propose to promulgate these amended regulations in order to effectively monitor the generation, transportation, treatment, storage and disposal of hazardous waste in the Commonwealth. By regulating these activities the Commonwealth protects public health, natural resources, and the environment.

Summary and analysis: Amendment 8 proposes to incorporate changes in the federal regulations promulgated up to October 1, 1986. Other minor revisions, such as editorial changes, additions of reference materials, or clarifying language—have been included for the convenience of the regulated community, and to maintain equivalence with the federal requirements for a hazardous waste management program.

The major changes in Amendment 8 are as follows:

1. Initial Hazardous and Solid Waste Amendment codification (FR 1978ff, 1/14/85); and HSWA codification rules (50 FR 28702ff, 7/15/85) for:

- Delisting petitions
- Household waste exclusion
- Waste minimization requirement
- Prohibition of management in salt domes
- Prohibition of liquids in landfills
- Prohibition against use of hazardous waste as a dust suppressant
- Requirements for double liners
- Removal of exemptions for groundwater monitoring
- Corrective action requirements
- Changes to permitting requirements
- Requirement for transmittal of exposure information;

2. Listing of new wastes (50 FR 42936, 10/23/85; 50 FR 53315, 12/31/85; 51 FR 5330, 2/13/86; 51 FR 6541,

2/25/86);

3. Storage and treatment of hazardous waste in tank system (51 FR 25422, 07/14/86);

4. Buring of used oil (HWSA) (50 FR 49164ff, 11/29/85);

5. Small quantity generators of hazardous waste (HWSA) (51 FR 10174ff, 3/24/86);

6. Financial responsibility settlement (51 FR 16443ff, 5/2/86); and

7. A change to the wording of § 6.4.E of existing regulations on Accumulation time.

Among the various editorial changes and clarifying language proposed, will be changes reflecting the reorganization of the Division of Solid and Hazardous Waste Management of the Virginia Department of Health into the Virginia Department of Waste Management. Accordingly, "Board of Health," "Commissioner," and similar wording will be changed to read: Board of Waste Management, Executive Director, etc..

Impact: These proposed changes in the initial draft of the amendment are expected to impact upon certain segments of the regulated community of hazardous waste management facilities, notable the facilities which manage hazardous waste in tanks, and upon small businesses which must properly manage their hazardous wastes (e.g., vehicle maintenances, dry cleaners, small laboratories, etc.). Although these changes represent additional costs to these businesses, it should be remembered that these regulations are already enforced by the federal authorities, and there will be no additional costs if the Commonwealth assumes enforcement responsibility by promulgation of this proposed amendment.

Written comments on proposed Amendment 8 can be submitted until 5 p.m., Tuesday, February 10, 1987, to Dr. Wladimir Gulevich, Director, Bureau of Hazardous Waste Management, Virginia Department of Waste Management, James Monroe Building, 11th Floor, 101 North 14th Street, Richmond, Virginia 23219.

Free copies of these initial draft materials are available from the Information Officer.

Contact: Cheryl Cashman, Information Officer, Virginia Department of Waste Management, James Monroe Bldg., 11th Floor, 101 N. 14th St., Richmond, Va. 23219, telephone (804) 225-2667 or the Hazardous Waste Hotline 1-800-552-2075

* * * * *

Notice is hereby given in accordance with § 9-6.14:7.1 of the Code of Virginia (Administrative Process Act) that the Virginia Waste Management Board intends to amend the Regulations entitled: **Virginia Hazardous Waste**

Management Regulations.

The proposed Amendment 9 to these regulations includes changes proposed by the U.S. Environmental Protection Agency on performance-based standards which cover hazardous waste management technologies not addressed by existing regulations. This proposed initial draft would amend the Virginia regulations of April 1, 1986.

STATEMENT

Amendment 9 to the Virginia Hazardous Waste Management Regulations

Basis and authority: Section 10-266.11 (Chapter 24, Title 10) of the Code of Virginia directs the Virginia Waste Management Board to promulgate such regulations as may be necessary. The change proposed by the federal regulatory authority requires a response by the Virginia program which will maintain the Commonwealth's independent authority to enforce the Resource Conservation and Recovery Act (RCRA); this response is to propose an amendment which keeps the Virginia Hazardous Waste Management program consistent with federal requirements.

Purpose: The Virginia Waste Management Board and the Executive Director of the Virginia Department of Waste Management proposes to promulgate these amended regulations in order to effectively monitor the generation, transportation, treatment, storage and disposal of hazardous waste in the Commonwealth. By regulating these activities, the Commonwealth protects public health, natural resources, and the environment.

Summary and analysis: Amendment 9 proposes to incorporate changes in the Federal Regulations, published on November 7, 1986, in the Federal Register (51 FR 40726ff, 11/7/86). These regulations, proposed by the U.S. Environmental Protection Agency, discuss waste management technologies not addressed by the existing regulations (Part 264, Title 40, Code of Federal Regulations/Part X, "Standards for Permitted Hazardous Waste Management Regulations, April 1, 1986). The proposed amendment establishes performance-based standards for these technologies in hazardous waste management.

Major changes in Amendment 9 include a new definition to Part I of the Virginia Hazardous Waste Management Regulations, April 1, 1986, to read: "Miscellaneous unit" means a hazardous waste management unit where hazardous waste is treated, stored, or disposed of and that is not a container, tank, surface impoundment, waste pile, land treatment unit, landfill, incinerator, boiler, industrial furnace, or underground injection well."

All proposed changes in Part X and XI, VHWMR, concern requirements for "miscellaneous units" in such respects as environmental performance standards of location, design,

General Notices/Errata

construction, operation, maintenance, and closure, and includes the issues of post-closure care, etc.,.

Other changes are editorial, and represent clarifying language for the convenience of the regulated community.

Impact: These proposed changes will impact only on those facilities with "miscellaneous units: for hazardous waste management; only two such facilities exist in the Commonwealth, at present.

Written comment on proposed Amendment 9 may be submitted until 5 p.m., February 10, 1987, to Dr. Wladimir Gulevich, Director, Bureau of Hazardous Waste Management, Virginia Department of Waste Management, James Monroe Building, 11th Floor, 101 North 14th Street, Richmond, Virginia 23219.

Free copies of these initial draft materials are available from the Information Officer.

Contact: Cheryl Cashman, Information Officer, Virginia Department of Waste Management, James Monroe Building, 11th Floor, 101 N. 14th St., Richmond, Va. 23219, telephone (804) 225-2667 or Hazardous Waste Hotline 1-800-552-2075.

NOTICES TO STATE AGENCIES

RE: Forms for filing material on dates for publication in the Virginia Register of Regulations.

All agencies are required to use the appropriate forms when furnishing material and dates for publication in the Virginia Register of Regulations. The forms are supplied by the office of the Registrar of Regulations. If you do not have any forms or you need additional forms, please contact: Ann M. Brown, Assistant Registrar of Regulations, Virginia Code Commission, P.O. Box 3-AG, Richmond, Va. 23208, telephone (804) 786-3591

FORMS:

- PROPOSED (Transmittal Sheet) - RR01
- FINAL (Transmittal Sheet) - RR02
- NOTICE OF MEETING - RR03
- NOTICE OF INTENDED REGULATORY ACTION - RR04
- NOTICE OF COMMENT PERIOD - RR05
- AGENCY RESPONSE TO LEGISLATIVE OR GUBERNATORIAL OBJECTIONS - RR06

ERRATA

DEPARTMENT OF HEALTH

Title of Regulation: **VR 360-01-03. Standards for Evaluating Certificate of Public Need Application to Establish or Expand Nursing Home Services.**

Issue V.A.R 3:6, p. 507, December 22, 1986

The correction to the proposed regulation is as follows:

Page 507, column 1, paragraph 1, line 7:

change the word "once" to "at most"

* * * * *

Title of Regulation: **VR 360-01-04. Standards for Evaluating Certificate of Public Need Applications to Establish or Expand Ambulatory Surgical Services.**

Issue V.A.R 3:6, pp. 517-518, December 22, 1986

The corrections to the final regulation are as follows:

Page 517, column 1, § 1.3, Definitions, second paragraph, second sentence should read:

"For the purposes of this regulation, ambulatory surgical services refer only to surgical services that are [*or are to be*] provided in operating rooms in licensed..."

Page 518, column 1, second paragraph delete the "of" following the second bracketed clause, as follows:

"...for additional operating room capacity shall be demonstrated if the number of [total (inpatient and outpatient)] existing and approved operating..."

Page 518, column 2, B.2, the last sentence in the paragraph should read:

"The result shall be the maximum allowable increase in [*ambulatory surgical*] operating rooms in the planning district."

CALENDAR OF EVENTS

Symbols Key	
†	Indicates entries since last publication of the Virginia Register
☒	Location accessible to handicapped
☎	Telecommunications Device for Deaf (TDD)/Voice Designation

NOTICE

Only those meetings which are filed with the Registrar of Regulations by the filing deadline noted at the beginning of this publication are listed. Since some meetings are called on short notice, please be aware that this listing of meetings may be incomplete. Also, all meetings are subject to cancellation and the Virginia Register deadline may preclude a notice of such cancellation.

For additional information on open meetings and public hearings held by the Standing Committees of the Legislature during the interim, please call Legislative Information at (804) 786-6530.

VIRGINIA CODE COMMISSION

EXECUTIVE

VIRGINIA STATE BOARD OF ACCOUNTANCY

January 19, 1987 - 10 a.m. - Open Meeting

January 20, 1987 - 8 a.m. - Open Meeting

Department of Commerce, Travelers Building, 3600 West Broad Street, Richmond, Virginia. ☒

A meeting to (i) review and approve applications for licensure and certification; (ii) review disciplinary cases; (iii) review correspondence items; and (iv) consider new business.

Contact: Roberta L. Banning, Department of Commerce, 3600 W. Broad St., Richmond, Va. 23230, telephone (804) 257-8505

GOVERNOR'S ADVISORY BOARD ON AGING

January 20, 1987 - 1 p.m. - Open Meeting

January 21, 1987 - 9 a.m. - Open Meeting

Jefferson Sheraton Hotel, 101 West Franklin Street, Richmond, Virginia. ☒

The board will discuss issues of interest to older Virginians including legislation before the 1987 Session

of the Virginia General Assembly and the impending reauthorization of the federal Older American Act.

Contact: William Peterson, Virginia Department for the Aging, 18th Floor, 101 N. 14th St., Richmond, Va. 23219, telephone (804) 225-2271/225-3140

STATE AIR POLLUTION CONTROL BOARD

† February 2, 1987 - 9 a.m. - Open Meeting
Location to be announced.

A general meeting of the board.

Contact: Dick Stone, State Air Pollution Control Board, P.O. Box 10089, Richmond, Va. 23240, telephone (804) 786-5478

VIRGINIA ALCOHOLIC BEVERAGE CONTROL BOARD

January 20, 1987 - 9:30 a.m. - Open Meeting

February 3, 1987 - 9:30 a.m. - Open Meeting

February 17, 1987 - 9:30 a.m. - Open Meeting

2901 Hermitage Road, Richmond, Virginia. ☒

A meeting to receive and discuss reports on activities from staff members. Other matters not yet determined.

Contact: Robert N. Swinson, 2901 Hermitage Rd., Richmond, Va. 23220, telephone (804) 257-0617

STATE BOARD OF ARCHITECTS, PROFESSIONAL ENGINEERS, LAND SURVEYORS AND CERTIFIED LANDSCAPE ARCHITECTS

Virginia State Board of Professional Engineers

January 20, 1987 - 9 a.m. - Open Meeting

Department of Commerce, Travelers Building, 5th Floor, 3600 West Broad Street, Richmond, Virginia. ☒

A meeting to (i) approve minutes of the September 19, 1986, meeting; (ii) review applications; (iii) discuss regulatory review; and (iv) discuss enforcement cases.

Calendar of Events

Virginia Board of Land Surveyors

January 23, 1987 - 9 a.m. – Open Meeting
Department of Commerce, Travelers Building, 5th Floor,
3600 West Broad Street, Richmond, Virginia. ☒

A meeting to (i) approve minutes of the August 1, 1986, meeting; (ii) possibly discuss regulations; (iii) conduct a psychometrician study; (iv) discuss NCEE Part IV exam; (v) discuss enforcement cases; and (vi) review applications.

Contact: Joan L. White, Assistant Director, APELSCLA, Department of Commerce, 5th Floor, Room 507, 3600 W. Broad St., Richmond, Va. 23230, telephone (804) 257-8506

VIRGINIA AUCTIONEERS BOARD

February 3, 1987 - 10 a.m. – Open Meeting
Roanoke City Circuit Court, 315 West Church Avenue,
Roanoke, Virginia

The board will meet to conduct a formal administrative hearing: Virginia Auctioneers Board v. Earl Frith

Contact: Sylvia W. Bryant, Hearings Coordinator, Department of Commerce, 3600 W. Broad St., Richmond, Va. 23230, telephone (804) 257-8524

VIRGINIA BOARD OF BARBER EXAMINERS

January 26, 1987 - 9 a.m. – Public Hearing
Department of Commerce, Travelers Building, 3600 West Broad Street, Richmond, Virginia. ☒

Notice is hereby given in accordance with § 9-6.14:7.1 of the Code of Virginia that the Department of Commerce intends to amend regulations entitled: VR 170-01-1. Virginia Board of Barber Examiners. The proposed change of regulation § 1.7 will decrease the license renewal fee from \$35.00 to \$30.00 (§ 1.7H) and late renewal fee, barber from \$70.00 to \$60.00 (§ 1.7L).

Statutory Authority: § 54.1-28 of the Code of Virginia.

Written comments may be submitted until January 23, 1987.

Contact: Evelyn W. Brennan, Assistant Director, 3600 W. Broad St., Richmond, Va. 23230, telephone (804) 257-8509 (toll-free 1-800-552-3016)

STATE BUILDING CODE TECHNICAL REVIEW BOARD

† **January 23, 1987, 10 a.m. – Open Meeting**
Fourth Street Office Building, 2nd Floor, Conference Room,
Richmond, Virginia. ☒ (Interpreter for deaf provided if requested)

A meeting to (i) consider requests for interpretation of the Virginia Uniform Statewide Building Code; (ii) consider appeals from the rulings of local appeal boards regarding application of the Virginia Uniform Statewide Building Code, and (iii) approve minutes of the previous meeting.

Contact: Jack A. Procter, 205 N. Fourth St., Richmond, Va. 23219, telephone (804) 786-4751

COMMONWEALTH TRANSPORTATION BOARD

February 19, 1987 - 10 a.m. – Open Meeting
Department of Transportation Building, Board Room, 3rd Floor, 1401 East Broad Street, Richmond, Virginia. ☒ (Interpreter for deaf provided if requested)

A monthly meeting to vote on proposals presented regarding bids, permits, additions and deletions to the highway system, and any other matters requiring board approval.

Contact: Albert W. Coates, Jr., Assistant Commissioner, Department of Transportation, 1401 E. Broad St., Richmond, Va. 23219, telephone (804) 786-9950

DEPARTMENT OF CONSERVATION AND HISTORIC RESOURCES

Rappahannock River Advisory Committee

† **January 22, 1987 - 7:30 p.m. – Open Meeting**
C. M. Bradley Elementary School, 617 Hastings Lane,
Warrenton, Virginia. (Off Route 29 - 211 Bypass on Route 17) ☒

A meeting to discuss business and issues affecting the scenic portion of the Rappahannock River.

Contact: Richard G. Gibbons, Division of Parks and Recreation, 1201 Washington Bldg., Capitol Square, Richmond, Va. 23219, telephone (804) 786-4132

BOARD OF CORRECTIONS

† **February 11, 1987 - 10 a.m. – Open Meeting**
† **March 11, 1987 - 10 a.m. – Open Meeting**

Department of Corrections, 4615 West Broad Street, Richmond, Virginia. ☒

A regular monthly meeting to consider such matters as may be presented to the Board of Corrections.

Contact: Vivian Toler, Secretary to the Board, 4615 W. Broad St., P.O. Box 26963, Richmond, Va. 23261, telephone (804) 257-6274

CRIMINAL JUSTICE SERVICES BOARD

† April 1, 1987 - 9 a.m. - Public Hearing
General Assembly Building, House Room C, Capitol Square, Richmond, Virginia. ☒

Notice is hereby given in accordance with § 9-6.14:7.1 of the Code of Virginia that the Criminal Justice Services Board intends to amend regulations entitled: **VR 240-01-11. Rules Relating to Compulsory Minimum Training Standards for Noncustodial Employees of the Department of Corrections.** The above regulation amends existing training standards for noncustodial employees of the Department of Corrections.

STATEMENT

The proposed amendments to the **Rules Relating to Compulsory Minimum Training Standards for Noncustodial Employees of the Department of Corrections** are submitted in accordance with § 9-6.14:7.1 of the Code of Virginia.

These amendments are being proposed pursuant to the regulation-issuing authority granted to the Criminal Justice Services Board by §§ 18.2-308(5), 19.1-81.2, 53.1-29 and 9-170 of the Code of Virginia.

The Rules Relating to Compulsory Minimum Training Standards for Noncustodial Employees are being evaluated according to our cyclical review process. There will be some administrative changes which will include amending the time requirements to complete training and the training recertification cycle.

Statutory Authority: § 9-170 of the Code of Virginia.

Written comments may be submitted until March 19, 1987, to L. T. Eckenrode, Department of Criminal Justice Services, 805 East Broad Street, Richmond, Virginia 23219.

Contact: Jay Malcan, Executive Assistant, Department of Criminal Justice Services, 805 E. Broad St., Richmond, Va. 23219, telephone 786-4000

* * * * *

† April 1, 1987 - 9 a.m. - Public Hearing

General Assembly Building, House Room C, Capitol Square, Richmond, Virginia. ☒

Notice is hereby given in accordance with § 9-16.14:7.1 of the Code of Virginia that the Criminal Justice Services Board intends to amend regulations entitled: **VR 240-01-4. Rules Relating to Compulsory Minimum Training Standards for Jailors or Custodial Officers/Courthouse and Courtroom Security Officers/Deputy Sheriffs Designated to Serve Process.** The regulations amend existing training standards for the above Officers and Deputy Sheriffs.

STATEMENT

Basis and Purpose: The rules, as proposed, are being considered for amendment pursuant to the provisions of § 9-170 of the Code of Virginia. The purpose of these rules is to protect the public safety and welfare against incompetent or unqualified persons performing the duties of jailors or custodial officers/courtroom security officers/deputy sheriffs designated to serve process, and set forth standards and procedures required to meet the mandate.

Subject and Substance: The proposed amendments to the rules mandate minimum training standards for Jailors or Custodial Officers/Courthouse and Courtroom Security Officers/Deputy Sheriffs Designated to Serve Process, and set forth procedures for approved training facilities to follow when conducting such training.

Statutory Authority: § 9-170 of the Code of Virginia.

Written comments may be submitted until March 19, 1987, to L. T. Eckenrode, Department of Criminal Justice Services, 805 East Broad Street, Richmond, Virginia 23219.

Contact: Jay Malcan, Executive Assistant, Department of Criminal Justice Services, 805 E. Broad St., Richmond, Va. 23219, telephone (804) 786-4000

STATE BOARD OF EDUCATION

January 23, 1987 - 1 p.m. - Public Hearing
James Monroe Building, Rooms C and D, 101 North 14th Street, Richmond, Virginia. ☒

Notice is hereby given in accordance with § 9-6.14:7.1 of the Code of Virginia that the State Board of Education intends to amend regulations entitled: **Certification Regulations for Teachers.** These regulations are the requirements for all personnel whose employment must be certified based on the standards in the regulations.

Statutory Authority: §§ 22.1-298 and 22.1-299 of the Code of Virginia.

Calendar of Events

Written comments may be submitted until December 31, 1986, to Dr. S. John Davis, Superintendent of Public Instruction, Department of Education, P.O. Box 6Q, Richmond, Virginia 23216.

Contact: Dr. William L. Helton, Administrative Director of Teacher Education, Certification, and Professional Development, Department of Education, P.O. Box 6Q, Richmond, Va. 23216-2060, telephone (804) 225-2027

VIRGINIA FARMERS' MARKET BOARD

† January 19, 1987 - 9:30 a.m. - Public Hearing
Washington Building, 2nd Floor Board Room, 1100 Bank Street, Richmond, Virginia

A public hearing followed by a business meeting to discuss proposals.

† February 24, 1987 - 9:30 a.m. - Open Meeting
Washington Building, 2nd Floor Board Room 1100 Bank Street, Richmond, Virginia

A regular business meeting to discuss Farmers' Market proposals.

Contact: R. Duke Burruss, Washington Bldg., Room 701, 1100 Bank St., Richmond, Va. 23219, telephone (804) 786-3549

VIRGINIA BOARD OF FUNERAL DIRECTORS AND EMBALMERS

January 20, 1987 - 9 a.m. - Open Meeting
January 21, 1987 - 9 a.m. - Open Meeting
January 22, 1987 - 9 a.m. - Open Meeting
Department of Health Regulatory Boards, Koger Center, Surry Building, Conference Room 2, 1601 Rolling Hills Drive, Richmond, Virginia. ☒

Informal conference (may continue to the next day).
On the 21st and 22nd a general board meeting which includes discussion of proposed regulations,

Contact: Mark L. Forberg, Executive Secretary, Virginia Board of Funeral Directors and Embalmers, 1601 Rolling Hills Dr., Richmond, Va. 23229-5005, telephone (804) 786-0076

COMMISSION OF GAME AND INLAND FISHERIES

January 23, 1987 - 9:30 a.m. - Public Hearing
Game Commission Offices, 4010 West Broad Street, Richmond, Virginia. ☒

The commission will act on new proposed regulations pertaining to the use of steel shot for waterfowl hunting as required by the U.S. Fish and Wildlife Services which, if adopted, will be implemented for the 1987-88 waterfowl season and the 1990-91 waterfowl season in Virginia.

General administrative matters will be considered also.

Contact: Norma G. Adams, Administration, 4010 W. Broad St., Richmond, Va. 23230, telephone (804) 257-1000

DEPARTMENT OF GENERAL SERVICES

Art and Architectural Review Board

February 6, 1987 - 10 a.m. - Open Meeting
Virginia Museum of Fine Arts, Main Conference Room, Boulevard and Grove Avenue, Richmond, Virginia. ☒

The board will advise the Director of the Department of General Services and the Governor on architecture of state facilities to be constructed and works of art to be accepted or acquired by the Commonwealth.

Contact: M. Stanley Krause, AIA, AICP, Rancorn, Wildman & Krause, Architects and City Planning Consultants, P.O. Box 1817, Newport News, Va. 23601, telephone (804) 867-8030

VIRGINIA STATE BOARD OF GEOLOGY

February 17, 1987 - 9 a.m. - Open Meeting
Department of Commerce, Travelers Building, 5th Floor, 3600 West Broad Street, Richmond, Virginia. ☒

A meeting to (i) approve minutes of the January 13, 1987, meeting; (ii) develop examinations; and (iii) discuss regulatory review.

Contact: Joan L. White, Assistant Director, Geology, Department of Commerce, 5th Floor, Room 507, 3600 W. Broad St., Richmond, Va. 23230, telephone (804) 257-8555

GEORGE MASON UNIVERSITY

Board of Visitors

† January 20, 1987 - 1 p.m. - Open Meeting
George Mason University, Student Union II, Rivanna Lane, Fairfax, Virginia. ☒

A regularly scheduled meeting of the George Mason

University Board of Visitors to (i) review recommendations of faculty appointments; (ii) receive reports of the standing committees; and (iii) act on those recommendations presented by the administrators of George Mason University. An agenda will be available four days prior to the board meeting for those individuals and organizations who request it.

Contact: Ann Wingblade, Office of the President, George Mason University, 4400 University Dr., Fairfax, Va. 22030, telephone (703) 323-2041

DEPARTMENT OF HEALTH (BOARD OF)

February 9, 1987 - 7 p.m. - Public Hearing
Washington County Public Library, Auditorium, Valley & Oak Street, Abington, Virginia

February 10, 1987 - 7 p.m. - Public Hearing
Walnut Hill Elementary School, Auditorium, 300 South Boulevard, Petersburg, Virginia

February 12, 1987 - 7 p.m. - Public Hearing
Henrico Government Center, Henrico County Board Room, Parham and Hungary Spring Roads, Richmond, Virginia

February 17, 1987 - 7 p.m. - Public Hearing
Harrisonburg Election Commission, 89 West Bruce Street, Harrisonburg, Virginia

February 18, 1987 - 7 p.m. - Public Hearing
Warren/Green Building, Meeting Room, 10 Hotel Street, Warrenton, Virginia

Notice is hereby given in accordance with § 9-6.14:7.1 of the Code of Virginia that the Department of Health intends to amend regulations entitled: **VR 355-34-02. Sewage Handling and Disposal Regulations.** The Sewage Handling and Disposal Regulations specific criteria by which sewage is handled and disposed of in a safe and sanitary manner.

Written comments may be submitted until February 8, 1986.

Contact: Robert W. Hicks, Director, Division of Sanitation Services, James Madison Bldg., Room 522, 109 Governor St., Richmond, Va. 23219, telephone (804) 786-3559

February 24, 1987 - 10 a.m. - Public Hearing
James Madison Building, Main Floor Auditorium, 109 Governor Street, Richmond, Virginia. ☐

Notice is hereby given in accordance with § 9-6.14:7.1 of the Code of Virginia that the Department of Health intends to amend regulations entitled: **VR 355-01-5. Virginia Voluntary Formulary (July 1987 Revision).** A

list of drugs of accepted therapeutic value, commonly prescribed and available from more than one source of supply.

Statutory Authority: §§ 32.1-12 and 32.1-79 et seq. of the Code of Virginia.

Written comments may be submitted until February 24, 1987.

Contact: James K. Thomson, Director, Bureau of Pharmacy Services, Department of Health, James Madison Bldg., 109 Governor St., Richmond, Va. 23219, telephone (804) 786-4326

VIRGINIA STATEWIDE HEALTH COORDINATING COUNCIL

† January 29, 1987 - 9 a.m. - Open Meeting
† January 30, 1987 - 9 a.m. - Open Meeting
Holiday Inn-West, 6531 West Broad Street, Richmond, Virginia. ☐

A regular business meeting to conduct business of the council.

Raymond O. Perry, Assistant Health Commissioner, Virginia Department of Health, 109 Governor St., Richmond, Va. 23219, telephone (804) 786-6970

February 23, 1987 - 1 p.m. - Public Hearing
James Madison Building, Main Floor Conference Room, 109 Governor Street, Richmond, Virginia. ☐

Notice is hereby given in accordance with § 9-6.14:7.1 of the Code of Virginia that the Virginia Statewide Health Coordinating Council intends to adopt regulations entitled: **VR 360-01-03. Standards for Evaluating Certificate of Public Need Applications to Establish or Expand Nursing Home Services.** (Amends portions of the Virginia State Health Plan; supersedes the nursing home bed need projection methodology currently published in the State Medical Facilities Plan.) These regulations specify the method by which nursing home bed need shall be computed and specifies other standards for evaluating Certificate of Public Need Applications.

Statutory Authority: § 32.1-120 of the Code of Virginia.

Written comments may be submitted until February 23, 1987.

Contact: John P. English, Health Planning Consultant, Madison Bldg., Room 1010, 109 Governor St., Richmond, Va. 23219, telephone (804) 786-4766

Calendar of Events

COUNCIL ON HEALTH REGULATORY BOARDS

January 20, 1987 - 11 a.m. - Open Meeting
Koger Center, Surry Building, Board Room 1, 1601 Rolling Hills Drive, Richmond, Virginia. ☒ (Interpreter for deaf provided if requested)

A regular quarterly meeting of the council. Reports of standing and special committees will be considered.

Legislative Committee

† January 20, 1987 - 8:30 a.m. - Open Meeting
Department of Health Regulatory Boards, Koger Executive Center, Surry Building, Board Room 3, 1601 Rolling Hills Drive, Richmond, Virginia. ☒ (Interpreter for deaf provided if requested)

The committee will discuss legislation anticipated to be introduced at the 1987 legislative session.

Public Information Committee

† January 20, 1987 - 9:30 a.m. - Open Meeting
Department of Health Regulatory Boards, Koger Executive Center, Surry Building, Board Room 1, 1601 Rolling Hills Drive, Richmond, Virginia. ☒

The committee will discuss implementation of the plan for 1987 public and professional information and education programs.

Scope and Standards of Practice Committee

† January 20, 1987 - 10 a.m.
Department of Health Regulatory Boards, Koger Executive Center, Surry Building, Board Room 3, 1601 Rolling Hills Drive, Richmond, Virginia. ☒

The committee will discuss a workplan and timetable for a study of the regulation of hypnosis in health care settings.

Contact: Richard D. Morrison, Policy Analyst, Department of Health Regulatory Boards, 1601 Rolling Hills Dr., Richmond, Va. 23229-5005, telephone (804) 662-9900

VIRGINIA HEALTH SERVICES COST REVIEW COUNCIL

† January 28, 1987 - 9 a.m. - Open Meeting
Johnston-Willis Hospital, 1401 Johnston-Willis Drive, Richmond, Virginia. ☒

The council will have an open meeting of the Technical Task Force to discuss the methodology for reviewing surgi-center. The regular monthly meeting

will begin at 10 a.m. to address financial, policy or technical matters which may have arisen since the last meeting.

Contact: Ann Y. McGee, Director, 805 E. Broad St., 9th Floor, Richmond, Va., telephone (804) 786-6371

STATE COUNCIL OF HIGHER EDUCATION FOR VIRGINIA.

March 13, 1987 10 a.m. - Public Hearing
James Monroe Building, Conference Room C, 101 North 14th Street, Richmond, Virginia. ☒

Notice is hereby given in accordance with § 9-6.14:7.1 of the Code of Virginia that the State Council of Higher Education for Virginia intends to adopt and repeal regulations entitled: **VR 380-02-01. Regulations Governing the Approval of Certain Institutions to Confer Degrees, Diplomas, and Certificates.** This regulation states process and conditions for approval of private in-state institutions to offer credit instruction and to award degrees, diplomas, and certificates in Virginia.

Statutory Authority: § 23-268 of the Code of Virginia.

Written comments may be submitted until March 6, 1987.

Contact: Dr. John Molnar, Institutional Approval Coordinator, SCHEV, 101 N. 14th St., Richmond, Va. 23219, telephone (804) 225-2634

BOARD OF HOUSING AND COMMUNITY DEVELOPMENT

Amusement Device Technical Advisory Committee

† January 29, 1987 - 8:30 a.m. - Open Meeting
† February 12, 1987 - 8:30 a.m. - Open Meeting
† February 26, 1987 - 8:30 a.m. - Open Meeting
Fourth Street Office Building, 7th Floor Conference Room, 205 North Fourth Street, Richmond, Virginia. ☒

A meeting to develop recommended regulations pertaining to the construction, maintenance, operation and inspection of amusement devices for consideration by the Board of Housing and Community Development.

Contact: Jack A. Proctor, CPCA, Deputy Director, Division of Building Regulatory Services, Department of Housing and Community Development, 205 N. Fourth St., Richmond, Va. 23219-1747, telephone (804) 786-4751

VIRGINIA HOUSING DEVELOPMENT AUTHORITY

January 20, 1987 - 9 a.m. - Open Meeting
13 South 13th Street, Richmond, Virginia. ☒

A regular monthly meeting of the Board of Commissioners to (i) review and, if appropriate, approve the minutes from the prior monthly meeting; (ii) consider for approval and ratification mortgage loan commitments under its various programs; (iii) review the authority's operations for the prior month; (iv) consider and, if appropriate, approve the Procedures, Instructions and Guidelines for Mortgage Credit Certificate Program; and (v) consider such other matters and take such other actions as they may deem appropriate. The planned agenda of the meeting will be available at the offices of the authority one week prior to the date of the meeting

Contact: Judson McKellar, Jr., General Counsel, 13 S. 13th St., Richmond, Va. 23219, telephone (804) 782-1986

DEPARTMENT OF LABOR AND INDUSTRY

February 2, 1987 - 7 p.m. - Public Hearing
Woodbridge Senior High School, 3001 Old Bridge Road, Woodbridge, Virginia

February 3, 1987 - 7 p.m. - Public Hearing
J. Sargeant Reynolds Community College, The Auditorium, 1st Floor, 700 East Jackson Street, Richmond, Virginia

February 4, 1987 - 8 p.m. - Public Hearing
Old Dominion University, Chandler Hall, Norfolk, Virginia

February 5, 1987 - 7 p.m. - Public Hearing
Department of Highways and Transportation, 731 Harrison Avenue, Salem, Virginia

Notice is hereby given in accordance with § 9-6.14:7.1 of the Code of Virginia that the Department of Labor and Industry intends to adopt regulations entitled: VR 425-02-12. Virginia Confined Space Standard 1910.146. This standard proposes to regulate entry into and work in confined spaces in Virginia general industry and Virginia construction industry.

Statutory Authority: § 40.1-22(5) of the Code of Virginia.

Written comments may be submitted until January 31, 1987, to Commissioner Carol Amato, Department of Labor and Industry, P.O. Box 12064, Richmond, Virginia 23241.

Contact: Jay Withrow, Technical Services Director, Department of Labor and Industry-VOSH, 205 N. 4th St., Richmond, Va. 23241, telephone (804) 786-8011

* * * * *

February 2, 1986 - 1 p.m. - Public Hearing
War Memorial Building, Lord Fairfax Room, Winchester, Virginia.

February 3, 1986 - 2 p.m. - Public Hearing
Southside Community College, John H. Daniel Campus, Room 55, Keysville, Virginia

February 4, 1986 - 3 p.m. - Public Hearing
Eastern Shore Community College, Lecture Hall, Route 13, Melfa, Virginia

Notice is hereby given in accordance with § 9-6.14:7.1 of the Code of Virginia that the Department of Labor and Industry intends to adopt regulations entitled: VR 425-02-13. Virginia Field Sanitation Standard 1928.110. This standard proposes to regulate sanitation requirements for Virginia Agricultural Hand-Labor Operations.

Statutory Authority: § 40.1-22(5) of the Code of Virginia.

Written comments may be submitted until January 31, 1987, to Commissioner Carol Amato, Department of Labor and Industry, P.O. Box 12064, Richmond, Virginia 23241.

Contact: Jay Withrow, Technical Services Director, Department of Labor and Industry, 205 N. 4th St., Richmond, Va. 23241, telephone (804) 786-8011

VIRGINIA STATE LIBRARY BOARD

January 27, 1987 - 11 a.m. - Open Meeting
Virginia State Library, 11th Street at Capitol Square, Richmond, Virginia. ☒

A regular meeting to discuss administrative matters.

Public Library Development Committee

January 27, 1987 - 9 a.m. - Open Meeting
Virginia State Library, 3rd Floor, Conference Room A, 11th Street at Capitol Square, Richmond, Virginia. ☒

A meeting to discuss Public Library Development Committee matters.

Automated Systems and Networking Committee

January 27, 1987 - 1:30 a.m. - Open Meeting
Virginia State Library, 3rd Floor, Conference Room B, 11th Street at Capitol Square, Richmond, Virginia. ☒

A meeting to discuss Automated Systems and Networking Committee matters.

Contact: Jean K. Reynolds, Virginia State Library, 11th

Calendar of Events

Street at Capitol Square, Richmond, Va. 23219, telephone (804) 786-2332

COMMISSION ON LOCAL GOVERNMENT

† **March 24, 1987 - 11 a.m.** – Open Meeting
Town of Lebanon - Russell County (site to be determined)

Oral presentations regarding the Town of Lebanon's annexation action.

† **March 24, 1987 - 7:30 p.m.** – Public Hearing
Town of Lebanon - Russell County (site to be determined)

Public hearing regarding the Town of Lebanon's annexation action.

† **March 25, 1987 - 9 a.m.** - Open Meeting
Town of Lebanon - Russell County (site to be determined)

Oral presentations regarding the Town of Lebanon's annexation action. (Continuation of oral presentations by the Town of Lebanon if needed)

Contact: Barbara Bingham, Ninth Street Office Bldg., Room 901, Richmond, Va. 23219, telephone (804) 786-6508

LONGWOOD COLLEGE

Board of Visitors

January 29, 1987 - 2 p.m. – Open Meeting
January 30, 1987 - 2 p.m. – Open Meeting
Virginia Room, Longwood College, Farmville, Virginia. ☒

A quarterly meeting of the governing board of the college in order to transact business pertaining to the institutions.

Contact: Dr. Janet D. Greenwood, President, Longwood College, Farmville, Va. 23901, telephone (804) 392-9211

MARINE RESOURCES COMMISSION

February 3, 1987 - 9:30 a.m. – Open Meeting
Newport News City Council Chamber, 2400 Washington Avenue, Newport News, Virginia

The Marine Resources Commission will meet to hear and decide cases on fishing licensing; oyster ground leasing; environmental permits in wetlands, bottomlands, coastal sand dunes, and beaches. It will also hear and decide appeals made on local wetlands board decisions.

Fishery management and conservation measures are discussed by the commission. The commission is empowered to exercise general regulatory power within 15 days and is empowered to take specialized marine life harvesting and conservation measures within 5 days.

Contact: Virginia S. Chappell, Secretary to the Commission, Marine Resources Commission, P.O. Box 756, Newport News, Va. 23607, telephone (804) 247-2208

VIRGINIA STATE BOARD OF MEDICINE AND STATE BOARD OF NURSING (Joint Meeting)

† **February 5, 1987 - 9:30 a.m.** – Open Meeting
Department of Health Regulatory Boards, Koger Center, Surry Building, 1601 Rolling Hills Drive, Richmond, Virginia. ☒ (Interpreter for deaf provided if requested)

A joint board meeting to (i) consider matters related to the regulations of nurse practitioners in Virginia; (ii) review comments on existing regulations; and (iii) develop proposed regulations.

Contact: Corinne F. Dorsey, R.N., Executive Director, 1601 Rolling Hills Dr., Richmond, Va. 23229, telephone (804) 786-0377

VIRGINIA STATE BOARD OF MEDICINE

Ad Hoc Committee on Respiratory Therapy

† **January 27, 1987 - 10 a.m.** – Open Meeting
Department of Health Regulatory Boards, Koger Center, Surry Building, 2nd Floor, Board Room 2, 1601 Rolling Hills Drive, Richmond, Virginia. ☒

A meeting to study the feasibility, mandatory certification for respiratory therapy practitioners.

Chiropractic Examination Committee

January 29, 1987 - 12 Noon – Open Meeting
Department of Health Regulatory Boards, Koger Center, Surry Building, Board Room, 2nd Floor, 1601 Rolling Hills Drive, Richmond, Virginia. ☒

A meeting in open and executive session to continue the development of the Virginia Chiropractic Part III examination.

Credentials Committee

January 30, 1987 - 8 a.m. - Open Meeting
January 31, 1987 - 8 a.m. - Open Meeting
Department of Health Regulatory Boards, Koger Center,
Surry Building, Board Room 1, 2nd Floor, 1601 Rolling
Hills Drive, Richmond, Virginia. ☒

A meeting to conduct general business, interview, and review medical credentials of applicants applying for licensure in Virginia in open and executive session.

Informal Conference Committee

† January 23, 1987 - 10 a.m. - Open Meeting
Fredericksburg Sheraton Resort and Conference Center,
Route 1 and I-95, Fredericksburg, Virginia. ☒

The Informal Conference Committee will inquire into allegations that certain practitioners may have violated laws and regulations governing the practice of medicine in Virginia. The committee will meet in open and closed session pursuant to § 2.1-344 (A) (6) of the Code of Virginia executive and closed session.

February 11, 1987 - 1 p.m. - Open Meeting
Roanoke Memorial Hospital Rehab Center, Belview and
Jefferson Street, Roanoke, Virginia. ☒

A meeting to inquire into allegations that certain practitioners may have violated laws and regulations governing the practice of medicine in Virginia. The committee will meet in opened and closed sessions pursuant to § 2.1-344 (A) (6) of the Code of Virginia, executive and closed meetings.

Contact: Eugenia K. Dorson, Regulatory Board
Administrator, Surry Bldg., 1601 Rolling Hills Dr.,
Richmond, Va. 23229-5005, telephone (804) 786-0575

STATE MENTAL HEALTH AND MENTAL RETARDATION BOARD

January 28, 1987 - 10 a.m. - Open Meeting
Planning District 19, Petersburg, Virginia. ☒

A regular monthly meeting. The agenda will be published on January 21 and may be obtained by calling Jane Helfrich.

Contact: Jane V. Helfrich, State Mental Health and Mental
Retardation Board Secretary, Department of Mental Health
and Mental Retardation, P.O. Box 1797, Richmond, Va.
23214, telephone (804) 786-3921

DEPARTMENT OF MENTAL HEALTH AND MENTAL RETARDATION

Systemwide Training Workgroup

† January 23, 1987 - 10 a.m. - Open Meeting
Jefferson-Sheraton Hotel, Franklin and Adams Streets,
Richmond, Virginia. ☒

Analysis of training needs assessment; distribution of
FY1988 Regional Training Grant application packets;
discussion of FY1988 Statewide Training Plan.

Contact: Ken Howard, Department of Mental Health and
Mental Retardation, P.O. Box 1797, Richmond, Va., 23214,
telephone (804) 786-6133

STATE MILK COMMISSION

† January 27, 1987 - 7:30 p.m. - Open Meeting
Hotel Roanoke, Roanoke, Virginia

A routine monthly meeting.

C. H. Coleman, Administrator, Ninth Street Office Bldg.,
Room 1015, 9th and Grace Streets, Richmond, Va. 23219,
telephone (804) 786-2013

STATE BOARD OF NURSING

† January 23, 1987 - 9:30 a.m. - Open Meeting
Sheraton Fredericksburg Resort and Conference Center,
Suite 360, I-95 and Route 3, Fredericksburg, Virginia. ☒
(Interpreter for deaf provided if requested)

A formal hearing on Donald L. Johnson will be held
to inquire into allegations that certain laws and
regulations governing the practice of nursing in
Virginia may have been violated.

January 26, 1987 - 9 a.m. - Open Meeting
January 27, 1987 - 9 a.m. - Open Meeting
January 28, 1987 - 9 a.m. - Open Meeting
Department of Health Regulatory Boards, Koger Center,
Surry Building, 1601 Rolling Hills Drive, Richmond,
Virginia. ☒ (Interpreter for deaf provided if requested)

A regular meeting of the Virginia State Board of
Nursing to consider (i) matters related to nursing
education programs, (ii) discipline of licensees; (iii)
licensing by examination and endorsement; and (iv)
other matters under jurisdiction of the board.

Calendar of Events

Informal Conference Committee

† February 10, 1987 - 8:30 a.m. - Open Meeting
Department of Health Regulatory Boards, Koger Center,
Surry Building, Conference Room 2, 1601 Rolling Hills
Drive, Richmond, Virginia. ☒ (Interpreter for deaf
provided if requested)

A meeting to inquire into allegations that certain
licensees may have violated laws and regulations
governing the practice of nursing in Virginia.

Contact: Corinne F. Dorsey, R.N., Executive Director, 1601
Rolling Hills Dr., Richmond, Va. 23229, telephone (804)
786-0377

VIRGINIA BOARD OF OPTOMETRY

January 20, 1987 - 8 a.m. - Open Meeting
Egyptian Building, Baruch Auditorium, 1223 East Marshall
Street, Richmond, Virginia

To administer Virginia Practical Examination and
Diagnostic Pharmaceutical Agents Examination.

January 21, 1987 - 9 a.m. - Open Meeting
Department of Health Regulatory Boards, Koger Center,
Surry Building, Conference Room 1, 1601 Rolling Hills
Drive, Richmond, Virginia. ☒

A general business meeting.

Contact: Moira C. Lux, Executive Director, Virginia Board
of Optometry, Koger Center, Surry Bldg., 1601 Rolling Hills
Dr., Richmond, Va. 23229, telephone (804) 662-9915
(Toll-free number 1-800-533-1560)

STATE BOARD OF PHARMACY

† January 29, 1987 - 9 a.m. - Open Meeting
Department of Health Regulatory Boards, Koger Center,
Surry Building, 1601 Rolling Hills Drive, Richmond,
Virginia. ☒

An Informal Conference Committee will inquire into
allegations that certain pharmacists may have violated
laws and regulations governing the practice of
pharmacy in Virginia. The committee will meet in
open and closed sessions pursuant to § 2.1-344 (A) (6)
of the Code of Virginia executive and closed meetings.

February 12, 1987 - 9 a.m. - Open Meeting
February 13, 1987 - 9 a.m. - Open Meeting
February 14, 1987 - 9 a.m. - Open Meeting
Jefferson-Sheraton Hotel, Franklin and Adams Street,
Richmond, Virginia. ☒

The board will meet on the 12th to discuss routine
business and proposed regulations. A meeting of the
Pharmacy Jurisprudence Committee will be held on
the 13th and 14th.

Contact: J. B. Carson, Executive Director, 1601 Rolling
Hills Dr., Richmond, Va. 23229, telephone (804) 786-0182

ADVISORY BOARD ON PHYSICAL THERAPY

January 23, 1987 - 8:30 a.m. - Open Meeting
Department of Health Regulatory Boards, Koger Center,
Surry Building, Board Room 1, 2nd Floor, 1601 Rolling
Hills Drive, Richmond, Virginia. ☒

The meeting will cover the review of the proposed
regulations, reports from the Ad Hoc Committee and
presentations from Compliance on Complaint
Procedures and other items which may come before
the board.

Contact: Eugenia K. Dorson, Executive Secretary, Surry
Bldg., 1601 Rolling Hills Dr., Richmond, Va. 23229-5005,
telephone (804) 786-0575

BOARD OF COMMISSIONERS TO EXAMINE PILOTS

† April 15, 1987 - 10 a.m. - Open Meeting
Hasler and Company, 212 Tazewell Street, Norfolk, Virginia

The board will meet to conduct routine business at its
regular quarterly meeting.

Contact: David E. Dick, 3600 W. Broad St., Richmond, Va.,
23230, telephone (804) 257-8515 or William L. Taylor, 3327
Shore Dr., Virginia Beach, Va., 23451, telephone (804)
496-0995

BOARD OF PROFESSIONAL COUNSELORS

January 22, 1987 - 9 a.m. - Open Meeting
Department of Health Regulatory Board, Koger Center,
Surry Building, 2nd Floor, Board Room 1, 1601 Rolling
Hills Drive, Richmond, Virginia. ☒

A meeting to (i) conduct general board business, (ii)
make policies; (iii) respond to board correspondence;
and (iv) review applications. (Formal hearing at 1:30
p.m.)

January 29, 1987 - 10 a.m. - Open Meeting
Department of Health Regulatory Boards, Koger Center,
Surry Building, 1601 Rolling Hills Drive, Richmond,
Virginia. ☒

Calendar of Events

Informal conferences.

Contact: Joyce D. Williams, Department of Health Regulatory Boards, 1601 Rolling Hills Dr., Richmond, Va. 23229, telephone (804) 786-7702

DEPARTMENT OF REHABILITATIVE SERVICES (BOARD OF)

January 22, 1987 - 1 p.m. - Open Meeting
January 23, 1987 - 9 a.m. - Open Meeting
Sheraton Park South Hotel, 9901 Midlothian Turnpike, Richmond, Virginia. ☐

A one and one-half day workshop retreat in which no public business will be discussed. The workshop will be conducted by professionals who will focus on communication skills among board members with agency staff, the media and the public and techniques of decision making.

Contact: Jim Hunter, 4901 Fitzhugh Ave., Richmond, Va. 23230, telephone (804) 257-6446 (toll-free number 1-800-552-5019)

BOARD FOR RIGHTS OF THE DISABLED

January 23, 1987, 10 a.m. - Open Meeting
James Monroe Building, Conference Room D, 101 North 14th Street, Richmond, Virginia. ☐

A quarterly meeting to review committee reports and plan of cooperation issues.

Contact: James A. Rothrock, James Monroe Bldg., 17th Floor, 101 N. 14th St., Richmond, Va. 23219, telephone (804) 225-2042 (toll-free number 1-800-552-3962)

STATE SEWAGE HANDLING AND DISPOSAL APPEALS REVIEW BOARD

February 25, 1987 - 9 a.m. - Open Meeting
James Monroe Building, Room C, 101 North 14th Street, Richmond, Virginia. ☐

A meeting to hear and render a decision on all appeals of denials of on-site sewage disposal system permits.

Contact: David Effert, James Madison Bldg., Room 502, 109 Governor St., Richmond, Va. 23119, telephone (804) 786-1750

DEPARTMENT OF SOCIAL SERVICES (BOARD OF)

February 6, 1987 - Written comments may be submitted until this date.

Notice is hereby given in accordance with § 9-6.14:7.1 of the Code of Virginia that the Department of Social Services intends to amend the regulation entitled: **VR 615-70-1. State Income Tax Intercept for Child Support.**

Statutory Authority: § 63.1-25 of the Code of Virginia and 45 CFR 303.102 of the Code of Federal Regulations effective October 1, 1985.

Written comment may be submitted until February 6, 1987, to Ray C. Goodwin, Acting Director, Child Support Enforcement, Department of Social Services, 8007 Discovery Drive, Richmond, Virginia 23288.

Contact: Jane L. Clements, Chief, Bureau of Program Operations, Division of Child Support Enforcement, Department of Social Services, 8007 Discovery Dr., Richmond, Va. 23288, telephone 281-9074

* * * * *

February 9, 1987 - 10 a.m. - Public Hearing
Offices of the Department of Social Services, Blair Building, Conference Room C, 8007 Discovery Drive, Richmond, Virginia.

Notice is hereby given in accordance with the requirements of federal law that the Department of Social Services intends to adopt regulations entitled: **State Plan for Implementation of the Virginia Weatherization Assistance Program for Low-income Persons. State Plan describes method for implementing the Weatherization Program in Virginia.**

Statutory Authority: 42 U.S.C. 6851 et seq., 42 U.S.C., 1701 et seq., and 10 CFR 440.

Written comments may be submitted until February 9, 1987.

Contact: Alice Fascitelli, Program Specialist, Department of Social Services, 8007 Discovery Dr., Richmond, Va. 23229-8699, telephone (804) 281-9050 (toll-free 1-800-552-7091)

* * * * *

February 10, 1987 - 10 a.m. - Public Hearing
Koger Center, Blair Building, 8007 Discovery Drive, Richmond, Virginia. ☐

February 12, 1987 - 10 a.m. - Public Hearing
Commonwealth Building, 201 Church Street, Roanoke, Virginia

Calendar of Events

Notice is hereby given in accordance § 9-6.14:7.1 of the Code of Virginia that the Department of Social Services (Board of) and Division of Licensing Programs intend to amend regulations entitled: **VR 615-22-02. Standards and Regulations for Licensed Homes for Adults.** The purpose of these amendments is to regulate homes which provide care and maintenance to the aged and infirm.

Statutory Authority: § 63.1-174 of the Code of Virginia.

Written comments may be submitted until February 1, 1987.

Contact: Catherine A Loveland, Program Specialist, Division of Licensing Programs, Department of Social Service, 8007 Discovery Dr., Richmond, Va. 23229-8699, telephone (804) 281-9025 (toll-free 1-800-552-7091)

* * * * *

February 20, 1987 - Written comments may be submitted until this date.

Notice is hereby given in accordance with § 9-6.14:7.1 of the Code of Virginia that the Department of Social Services intends to adopt regulations entitled: **VR 615-50-3. Minimum Standards for Local Agency Operated Volunteer Respite Care Programs.** These regulations establish minimum standards for the provision of volunteer staffed respite care for children by local social service/public welfare agencies.

Statutory Authority: §§ 63.1-25 and 63.1-55 of the Code of Virginia.

Written comments may be submitted until February 20, 1987.

Contact: Vernon Simmons, State Volunteer Services Coordinator, Virginia Department of Social Services, 8007 Discovery Dr., Richmond, Va. 23229-8699, telephone (804) 281-9288 (toll free 1-800-552-7091)

BOARD OF SOCIAL WORK

† **February 20, 1987 - 9:30 a.m.** - Open Meeting
Department of Health Regulatory Boards, Koger Center, Surry Building, 1601 Rolling Hills Drive, Richmond, Virginia. ☐

A meeting to (i) conduct general board business; (ii) review applications; (iii) respond to correspondence; and (iv) discuss regulations.

Contact: Stephanie Sivert, Executive Director, 1601 Rolling Hills Dr., Richmond, Va. 23229, telephone (804) 786-7703

VIRGINIA PUBLIC TELECOMMUNICATIONS BOARD

† **January 22, 1987 - 10 a.m.** - Open Meeting
Department of Information Technology, 4th Floor, 110 South 7th Street, Richmond, Virginia. ☐

A quarterly meeting of the board regarding public television and radio issues.

Contact: Suzanne Piland, Department of Information Technology, 1st Floor, 110 S. 7th St., Richmond, Va. 23219, telephone (804) 344-5560

THE TREASURY BOARD

January 8, 1987 - 10 a.m. - Public Hearing
James Monroe Building, Conference Room B, 101 North 14th Street, Richmond, Virginia. ☐

Notice is hereby given in accordance with § 9-6.14:7.1 of the Code of Virginia that The Treasury Board intends to amend regulations entitled: **VR 640-02. The Virginia Security for Public Deposits Act Regulations.** These regulations make permanent and amend the emergency regulation that expires May 21, 1987.

Statutory Authority: § 2.1-364(a) of the Code of Virginia.

Written comments may be submitted until January 9, 1986.

Contact: Pat Watt, Director, Financial Policy Analysis, Department of Treasury, P.O. Box 6H, Richmond, Va. 23215, telephone (804) 225-2142

VIRGINIA BOARD OF VETERINARY MEDICINE

† **February 3, 1987 - 9:30 a.m.** - Open Meeting
Department of Health Regulatory Boards, Koger Center, Surry Building, Conference Room 2, 1601 Rolling Hills Drive, Richmond, Virginia. ☐

A formal hearing.

† **February 17, 1987 - 1 p.m.** - Open Meeting
† **February 18, 1987 - 8 a.m.** - Open Meeting
† **February 19, 1987 - 8 a.m.** - Open Meeting
The Homestead, Hot Springs, Virginia

General board business and informal conferences.

† **February 19, 1987 - 1 p.m.** - Open Meeting
The Homestead, Hot Springs, Virginia

A meeting to conduct examinations for veterinarian applicants.

Contact: Moria C. Lux, Executive Director, Virginia Board of Veterinary Medicine, 1601 Rolling Hills Dr., Richmond, Va. 23229, telephone (804) 662-9915

* * * * *

March 5, 1987 - Written comments may be submitted until this date.

Notice is hereby given in accordance with § 9-6.14:7.1 of the Code of Virginia that the Virginia Board of Veterinary Medicine intends to adopt, amend, or repeal new and existing regulations entitled: **VR 645-01-1. Regulations Governing the Practice of Veterinary Medicine.** The proposed regulations, a revision of existing ones, provide standards for the practice of veterinary medicine in Virginia and state requirements for candidates for licensure of veterinary medicine, animal technology, and animal facilities.

Statement of purpose: The purpose of these regulations is to protect the public health and safety in the field of veterinary medicine by assuring the competence of the licensees and certificants and the adequacy of animal facilities. The regulations provide standards for the maintenance of animal hospitals and for the practice of veterinary medicine and animal technology. They also state requirements for applicants for examination and licensure and govern the board in the performance of its duties.

Animals have many significant roles in human society—domestic pets offer companionship, while livestock provide sources of food and materials for industrial purposes. Good health is essential for animals to fulfill these roles, and, accordingly, veterinary medicine is a concern of the public domain.

The proposed regulations protect the public health and safety by providing standards of competency and conduct for practicing veterinarians and their certified assistants—animal technicians. Disciplinary cases that come intermittently to the board demonstrate that a certain portion of practitioners would provide less-than-adequate care in the absence of state regulations. Without these regulations, there would only be the control over veterinary medicine that is provided by statute. The statutes do not furnish detailed standards of conduct for veterinarians, grounds for disciplinary action, and qualifications for licensure. Therefore, regulations are essential for the protection of the public and for the proper provision of veterinary services in the Commonwealth.

The proposed regulations are a revision of existing regulations. They are the result of the extensive regulatory review the board undertook upon Governor Charles S. Robb's direction.

During the review process, the board identified existing rules and regulations that had no vital purpose. These

were deleted. Also identified were important regulations needing clarification. Lastly, the board identified several aspects of veterinary medicine previously unaddressed that needed regulation. The impact of the regulations that increase the regulatory burden are analyzed below.

Estimated impact:

A. Regulated entities: Virginia's 1,800 licensed veterinarians, 340 certified animal technicians, and 425 animal facilities are affected by the proposed rules.

B. Projected costs to the regulated: The revised regulations both increase and decrease costs for the licensees in the following ways:

Veterinarians and technicians will have to pay higher licensure, certification, and permit-related fees. With more specific requirements for the licensing of animal facilities, some veterinarians may have to buy new equipment. However, according to the proposed regulations, veterinarians wishing to offer fewer services may receive from the board a "limited facility" permit and save by not having to purchase as extensive an array of equipment. Restrictions on ownership of veterinary facilities are eliminated. According to the proposed regulations, a second, national level examination—the Clinical Competency Test—will be required prior to licensure. The deadline for applying for examination and permits is lengthened. Each animal facility will be required to designate a "veterinarian-in-charge." New grounds for unprofessional conduct also are established.

1. Fee increases (§ 1.10 of the proposed regulations)

The board proposes fee changes in five categories: (i) licensure fees; (ii) examination fees; (iii) late fees; (iv) reinstatement fees, and (v) reinspection fees.

a. Licensure fees: The board proposes to increase the annual licensure fee from \$35 to \$125 for veterinarians; from \$15 to \$30 for animal technicians; and from \$25 to \$50 for animal facilities. The board proposes to establish a new licensure fee category—"inactive" veterinarian—to reduce the cost of licensure for licensees not practicing in the Commonwealth.

A \$90-a-year increase in licensure fee will impact the approximately 900 in-state veterinarians. It is likely that they will pass the cost on to their clients. This may result in slightly higher fees for veterinary services for some member of the public. Some retired veterinarians may decline to renew their licenses because of the increase, but most practitioners in Virginia will pay the fee because their livelihood is derived from their veterinary practice.

A \$15-a-year increase in licensure fee will impact the approximately 900 out-of-state veterinarians. Some may decide to drop their licensure. Most, however, are expected to renew, passing the cost on to their clients,

Calendar of Events

and will not be adversely affected.

b. Examination fee: The board proposes increasing the state board examination fee from \$50 to \$75 for animal technicians.

The proposed increase of \$25 for examination as an animal technician will affect the approximately 50 candidates for certification each year. The increase may deter a few from seeking certification in Virginia. Those sitting for the examination may have to draw from limited funds to pay an additional \$25.

The following fee categories are avoidable and only paid by the user:

c. Late fee: The board proposes to increase from \$10 to \$25 the veterinary license renewal late fee. The late fees for renewal of animal facility registration and animal technician certificates do not change.

Veterinarians who fail to renew by the deadline will have to pay \$15 more than they did in previous late-payment situations.

d. Reinstatement fees: The board proposes to create three fee categories for the reinstatement of (i) veterinary licenses; (ii) animal technician certificates; and (iii) animal facility permits. The proposed fees, respectively, are \$250, \$50, and \$100.

The reinstatement fees will affect those people who allow a license to lapse and then, at some later date, wish to reactivate their former status. Currently, this charge is at the board's discretion; under the proposed regulations, it will be standardized.

e. Reinspection fee: The board proposes to create a reinspection fee that will be applied when a facility's unsatisfactory condition necessitates a repeat inspection. The reinspection fee does not apply to routine inspections for which there is no specific charge.

The reinspection fee of \$100 will affect the owners of the approximately 25 facilities a year that require reinspection (there are approximately 425 permitted animal facilities in Virginia). The cost is avoidable as it will only be charged when a follow-up inspection is necessary because of noncompliance.

2. Facility requirements (§ 4.1 of the proposed regulations).

The board proposes to state with greater specificity the requirements for the surgery suite and general equipment at animal facilities. The board proposes to establish a new facility requirement—that animal hospitals provide isolation for contagious patients. The board has included in its regulations certain portions of the Drug Control Act applicable to veterinary hospitals. Lastly, the board

proposed a new class of animal facility registration—the limited facility.

a. Surgery suite: The proposed regulations require that the surgery table have a nonporous surface, that the lighting in the suite be of surgical quality, that there be emergency lighting, and that the room have a waste receptacle. Furthermore, the rules require that a circle gas vaporizer be present in order to provide anesthesia.

These requirements will affect the owners of 425 registered facilities. Most facilities already have the equipment proposed as being required. Those lacking a certain element and those outfitting a new facility will incur the costs of the equipment.

Item	Cost Range
Table	\$100-\$1,000
Lighting	\$100-\$500
Emergency lighting	\$75-\$150
Waste receptacle	\$5-\$75
Anesthesia machine	\$250-\$1,000
Total	\$530-\$2,725

Anesthesia, lighting, proper sanitation, and appropriate equipment are required under the existing regulations. The new costs incurred under the proposed regulations, therefore, result from the differential between baseline versus surgical quality equipment.

b. General equipment: The board proposes to require that animal facilities contain certain basic equipment, including sterilization monitors, a stethoscope, an ophthalmoscope, a thermometer, and a resuscitation bag. Small animal facilities also must have endotracheal tubes, a scale, an otoscope, an oxygen delivery system, and refrigeration for exclusive storage of carcasses.

These requirements will affect any owners of animal hospitals who do not already have the equipment. Because the equipment proposed is basic to providing standard veterinary care, little impact will occur. Those few hospitals that lack one or several of the items will incur the costs of the new items. Newly opening facilities will incur the costs of the equipment, however, most, if not all, of the equipment would be necessary to provide adequate veterinary services in the absence of regulations.

Item	Cost Range
Sterilization monitors	\$0.05-\$0.10

Stethoscope	\$15-\$70
Ophthalmoscope	\$125-\$200
Thermometer	\$2-\$10
Resuscitation bag	\$25-\$35
Endotracheal tubes	\$50-\$200
Scale	\$25-\$100
Otoscope	\$25-\$40
Refrigerator	\$300-\$600
Oxygen delivery system	\$0-\$200
Total	\$567.05-\$1,455.10

c. Isolation room: The board proposes to require that by 1989 every full-service hospital provide a room for the effective separation of contagious patients.

A facility lacking such a room will incur the costs of constructing it. The costs will depend on the design of the building, but may range between \$500 and \$5,000.

d. Drug storage and recordkeeping: The board proposes several new regulations pertaining to drug recordkeeping.

No new impact will occur as a result of these new regulations because veterinarians are already subject to the rules excerpted from the Virginia Drug Control Act because they prescribe, administer, and dispense drugs. The rules are included in the board's regulations as a service to the licensees.

e. Limited facility: The board proposes that it be permissible to operate an animal facility where the scope of practice is limited if the owners apply and receive advance approval from the board to have a restricted facility permit. This proposed regulation would require that the hospital post signage, approved by the board, that the animal hospital is only equipped to treat certain conditions and/or provide certain services.

The owners and employees of the 425 animal facilities in Virginia will be impacted by this regulation. It could represent a significant savings to those veterinarians who wish to specialize in one aspect of the field and have no use for some of the equipment required under current regulations.

However, for those practitioners and owners who already have invested in an animal hospital permitted under present rules, the new regulation could have adverse impacts. Limited facilities may allow veterinarians just entering the marketplace a

competitive edge in pricing because their debt burden is less. However, this advantage may be off-set because some consumers may prefer to remain with the existing facilities so that they have no doubt that their animal can be treated on site, regardless of the problem diagnosed.

3. Restrictions on ownership of veterinary facilities: The limited facility provision described above has impacts that are compounded when considered in conjunction with another proposed regulatory changes—that the rule requiring veterinary hospitals be owned by veterinarians be deleted. If both changes occur, entry into the veterinary marketplace by "nonveterinary" corporations, offering minimal veterinary services, is possible. A company with the financial ability to publicize its services widely could legally offer a single, high-profit-margin service, such as vaccinations. Veterinarians providing all services sometimes rely on the income from vaccinations to make up for losses taken on surgery patients.

There being no requirement that veterinarians own animal hospitals, at the least, may change the pricing structure of veterinary services. It also may invite entry into the marketplace and increase competition to the extent that some licensed veterinarians will fail financially. An exact prediction of the impact cannot be made in the absence of data such as local market saturation for veterinary services, and the potential profits or related incentives that may attract nonveterinarians into the business.

4. Clinical competency test § 2.1(A)(3) of the proposed regulations: The board proposes to include as a requirement for licensure that a candidate take and obtain an acceptable score on an exam called the Clinical Competency Test (CCT).

Little impact is expected to result from this new rule because the CCT is already taken by most candidates for licensure. The test is nationally recognized and required for licensure in many states. Virginia graduates routinely take the test in preparation for licensing in a number of states. The Virginia Board of Veterinary Medicine has administered the exam in Virginia for the past three years and intends to offer it in the future as well. The exam is offered the day after the the already mandatory national exam for veterinarians, so travel costs to the test administration location are not a new cost.

When a licensure candidate does not need to take the CCT for any reason other than to practice in Virginia, under the proposed regulations, they would incur a new cost. Currently it costs \$100 to sit for the CCT. Such a candidate would also incur the costs of a hotel for a night, approximately \$45, plus travel.

5. Deadline changes (§ 3.2 of the proposed regulations):

a. Examination: The deadlines for applying for the state board examination is changed in the proposed rules from 30 to 45 days.

Calendar of Events

This proposed rule will not have an impact other than to cause applicants to prepare their applications two weeks sooner.

b. Facility permits: The deadline for applying to open an animal facility is changed from 30 to 60 days in the proposed rules.

This rule will make it necessary for facility owners to plan thirty days sooner the events preceding the opening of an animal facility. Before a facility can be opened, it must be inspected and approved by the board. The inspection cannot be conducted until the facility is fully equipped. The change of deadlines may necessitate greater coordination of events, contractors, and suppliers on the part of facility owners.

6. Veterinarian-in-charge (§ 4.1(b) of the proposed regulations): The board proposes a requirement that each animal facility have a veterinarian-in-charge (VIC). The VIC would be responsible for the facility's complying with standards for facilities and the federal and state drug laws.

This will significantly increase the legal accountability of one veterinarian per facility. This new rule also may cause the veterinarian to incur the cost of higher insurance coverage.

7. Unprofessional conduct (§ 3.2 of the proposed regulations): The board proposes to add several grounds for unprofessional conduct.

a. Veterinarians

1) A proposed rule, § 2.4(17), makes it unprofessional conduct to prescribe for human use.

This is a reiteration from The Drug Control Act, therefore, it will cause no new impact.

2) A proposed rule, § 2.4(13), makes it unprofessional conduct to fail to pay any required fees.

This regulation only affects the licensee delinquent in payment. It will not impact the general, regulated community.

3) A proposed rule, § 2.4(14), makes it unprofessional conduct to fail to pay Board-imposed fines.

This regulation only affects recalcitrant violators and not the general, regulated community.

4) A proposed rule, § 2.4(15), makes it unprofessional conduct to refuse a facility inspection at reasonable hours.

Board agents already have the right to enter and inspect a facility. This rule creates no new obligation,

it merely ties an enforceable law to a more discrete violation. Therefore, no new impact is anticipated.

5) A proposed rule, § 2.4(12), makes it unprofessional conduct to practice so as to endanger the health and welfare of patients or the public. Practice while impaired by illness, drugs, or alcohol would be prohibited.

This rule is a reiteration of a Code section and would, therefore, have no new impact.

b. Animal technicians: The board proposes to make it unprofessional conduct for an animal technician to violate drug laws.

Because it already is illegal to violate drug laws, no new impact will result from this rule.

C. Projected cost to agency: Implementing the new rules will not increase the board's operating costs. The regulatory changes proposed can be implemented under existing programs. The fee increases are necessary to implement existing, rather than proposed rules.

D. Source of funds: Most of the board's funds come from licensure, examination, registration, and late fees.

3. Legal Authority: § 54-784.03 (13) of the Code of Virginia authorizes the Board of Veterinary Medicine to adopt regulations.

4. Attorney general assurance: The Attorney's General's office has reviewed the proposed regulations and assures that the board has the statutory power to promulgate the rules.

5. Public hearings: Because these regulations were revised as a result of the comprehensive review of regulations directed by Governor Charles S. Robb, their development included several public hearings and comment periods.

On August 16, 1984, the Commission on Health Regulatory Board held a public hearing on the existing regulations of the Board of Veterinary Medicine. The board then developed and submitted a report on the evaluation of its existing and proposed regulations to the Governor's Regulatory Reform Advisory Board (GRRAB). The comments from the Reform Board were received and responded to by the Board of Veterinary Medicine.

On May 17, 1985, the Board of Veterinary Medicine participated in a hearing held by GRRAB to receive public comment on the proposed regulations.

On February 3, 1986, a 60-day public comment period began, and the proposed regulations were published in the Virginia Register of Regulations. A hearing was held on April 8, 1986, in Richmond to receive additional public comments. The board has carefully reviewed, incorporated, and responded to these comments.

Because of a procedural omission, the board recommended the process of promulgating these regulations with a Notice of Intent to promulgate in the July 21, 1986 issue of the Virginia Register of Regulations.

All public comments and board responses are available on request, as are all the documents relating to the regulatory and subsequent processes.

Additional public hearings on the regulations have not been scheduled at this time, but may be scheduled if appropriate. The current public comment period shall close on March 5, 1987.

Prior to March 5, comments will be received by the board at the address stated in 6 below.

6. Contact person: For further information about these proposed regulations, please contact:

Moira C. Lux, Executive Director
Virginia Board of Veterinary Medicine
Department of Health Regulatory Boards
Koger Center, Surrey Building
1601 Rolling Hills Drive
Richmond, Virginia 23229-5005
(804) 662-9915

7. Statement of need.

A. Fee increases: Higher licensure, examination, and late fees are needed to fund the board's examination, enforcement, and administrative programs. Without the fee increases, the board will generate income of \$156,000 during the 1986-88 biennium. With the projected minimum expenditures of \$283,905 during the biennium to meet costs necessary for board operations, a deficit of \$118,905 will occur.

The board's costs have increased as a result of inflation, a greater volume of complaints requiring investigation, and the addition of a citizen member on the board.

Reinstatement fees are necessary to cover the board's administrative costs of reinstating a license. When there is an application for reinstatement, the board must compile information about the individual's eligibility, continuing education, and licensure record in other states. Then each board member must review this file. Under the current rules, a like fee is added to the licensure fee at the board's discretion. With the proposed rules, this cost figure will be standardized.

A reinspection fee is necessary because the board incurs substantial costs, making follow-up inspections at facilities to assure that problems have been corrected. The board also incurs unnecessary costs making repeat inspections at new facilities when the original inspection was requested before all equipment is in place. The reinspection fee will allow the board to pass the costs of reinspection back to the sources of the costs rather than to the entire regulated

community.

B. Facility requirements: The surgery suite and general equipment requirements stated in the proposed regulations are the minimum equipment the board feels must be present in a full-service hospital in order to render adequate animal care. Most of the equipment is already required—greater specificity about the equipment in the regulations is necessary so that licensees are better informed about what is expected.

An isolation room for contagious patients is necessary to prevent the spread of disease and loss of animal life that can occur when a clinic has no means to separate patients.

Rules pertaining to drug storage recordkeeping are necessary to assist veterinarians in complying with the federal and state drug control acts.

The limited facility rule—allowing veterinarians to restrict their scope of practice—recognizes the changing nature of veterinary medicine. As in human medicine, specialities are now commonplace. A regulation was necessary to allow specialists to practice without having to purchase equipment they would never need.

C. Ownership of veterinary facilities: The regulation which prohibited nonveterinarian ownership of animal hospitals was deleted because it restricted free commerce. Without evidence that the public receives poor-quality animal care from veterinarians employed by nonveterinarians, the board does not believe such a rule is warranted.

D. Clinical competency test: The regulation requiring the Clinical Competency Test is necessary because the CCT evaluates skills critical to measuring a veterinarian's preparation to enter practice. Previously, the board members developed a state-level examination aimed at evaluating clinical competency. That examination will be replaced by the CCT. The CCT is developed by professional psychometricians, and each question is validated by sample groups before it is administered in Virginia. The CCT, therefore, is a more defensible instrument with which to judge a licensure candidate's abilities.

E. Deadline changes: The extension of the deadline for receipt of examination and facility applications is necessary to enable the board to conduct its work in a timely fashion. Under the current deadline, staff overtime hours are needed prior to an examination, and inspectors sometimes do not have enough time to arrange travel across the state by the opening date of a facility.

F. Veterinarian-in-charge: Designation of a veterinarian-in-charge is necessary so that a single party agrees to be responsible for assuring compliance of the facility with certain, primarily drug-related, regulations. Each facility, in order to prevent and recognize illegal

Calendar of Events

drug diversion, must take a biennial inventory of all drugs on the premises. However, this duty is sometimes overlooked at animal facilities. Compliance with drug laws at animal facilities is presently distributed among staff, making it difficult to isolate the cause or responsible party when a violation is noted during an inspection. The veterinarian-in-charge provision will address this ambiguity and help prevent the possible illegal distribution of drugs.

G. Unprofessional conduct: All five of the rules that are proposed as grounds for unprofessional conduct concern matters that are already against the law. Placing them in the unprofessional conduct section of the regulations provides the board with an efficient legal mechanism to enforce the law. Violations of the unprofessional conduct rules subject a practitioner to sanctions, including license suspension or revocation. Before any sanction action is taken against a licensee, however, the practitioner will be offered an informal conference or hearing in accordance with the Virginia Administrative Process Act.

8. Clarity: Clearer and simpler regulations are important outcomes of the Board of Veterinary Medicine's regulatory review experience. A consultant was contracted to edit and assist the board to develop a more concise body of rules.

9. Small business impact: Veterinary practices will be affected by the increased licensure fees. However, the licensee is able to pass those costs on to his or her clients. The increases average less than \$.25 per day.

Veterinary practices will be affected by the deletion of the regulation requiring ownership of animal hospitals by veterinarians. This change could adversely affect small veterinary practices given a certain chain of events. If there is the potential for profit, large, diversified corporations may enter the veterinary marketplace. Their resources and staying power may allow them to underprice local practitioners and, eventually, drive them out of the market. This might result in the unavailability of full-service facilities which could impact negatively on the quality of veterinary care available to the public.

Some veterinary practices will be affected by the requirements that facilities have certain minimum equipment. Those lacking an item will be impacted by that cost. However, the impacts of buying equipment can be offset if the small veterinary business restricts its scope of practice. The limited facility permit allows a veterinary practice to buy only the equipment justified by their function.

10. Alternatives considered: The Board of Veterinary Medicine participated in the extensive regulatory review process mandated by Governor Robb. These regulations were developed over a two-year period that included two public hearings. Numerous comment from the public were received by the board and incorporated into these regulations. Each regulation has been reviewed as to need and the least restrictive alternatives while assuring the protection of the public, have been considered and

integrated into these proposed regulations.

The proposed regulations clarify, simplify, and shorten the topics of the existing regulations—examination, licensure, and unprofessional conduct. The proposed regulations, in the board's opinion, constitute the least burdensome alternative for assuring public protection.

11. Continued need: Within two years after the effective date of these regulations, these rules will be reviewed at one of the board's scheduled meetings. The board will evaluate their effectiveness and initiate any revisions or deletions deemed necessary.

By statute, these proposed, revised regulations of the board are subject to the review of the Council on Health Regulatory Boards, an advisory body consisting of one member from each of the ten regulatory boards within the Department of Health Regulatory Boards and five citizen members, all appointed by the Governor.

12. Forms, reports mandated: The proposed regulations will require the revision of the board's facility inspection forms to make them reflect current rules, but no new forms will be required.

13. It is estimated that the proposed rules will be published in the Virginia Register of Regulations on January 5, 1987.

14. The public comment period will end on March 5, 1987. If all stages of the promulgation process occur as scheduled, the effective date of the regulations will be May 5, 1987.

SPECIAL NOTICE

This statement addresses the estimated impact of substantive changes to existing regulations as required by the Administrative Process Act (Code of Virginia, § 9-6.14:9.B). Other proposed changes to regulations have been made by the board after careful consideration. These are reviewed in an Index to Existing and Proposed Regulations which is incorporated by reference for the purpose of this statement. All relevant documents are available to the public from the Executive Director, Moira C. Lux, Virginia Board of Veterinary Medicine, 1601 Rolling Hills Drive, Richmond, Va. 23229, telephone (804) 662-9915

Statutory Authority: § 54-784.03(13) of the Code of Virginia.

Written comments may be submitted until March 5, 1987.

Contact: Moira C. Lux, Executive Director, Virginia Board of Veterinary Medicine, 1601 Rolling Hills Dr., Richmond, Va. 23229, telephone (804) 662-9915

VIRGINIA DEPARTMENT FOR THE VISUALLY HANDICAPPED

Advisory Committee on Services

† March 8, 1987 - 10:30 a.m. - Open Meeting
Administrative Headquarters, 397 Azalea Avenue,
Richmond, Virginia. ☒ (Interpreter for deaf provided if
requested)

The committee meets quarterly to advise the Virginia
Department for the Visually Handicapped on matters
related to services for blind and visually handicapped
citizens of the Commonwealth.

Contact: Diane E. Allen, Executive Secretary, 397 Azalea
Ave., Richmond, Va. 23227, telephone (804) 264-3145

VIRGINIA WASTE MANAGEMENT BOARD

January 28, 1987 - 1 p.m. - Open Meeting
James Monroe Building, Conference Room C, 101 North
14th Street, Richmond, Virginia. ☒

A general business meeting

Contact: Cheryl Cashman, James Monroe Bldg., 11th Floor,
101 N. 14th St., Richmond, Va. 23219, telephone (804)
225-2667

DEPARTMENT OF WASTE MANAGEMENT

February 10, 1987 - 10 a.m. - Open Meeting
James Monroe Building, Conference Room C, 101 North
14th Street, Richmond, Virginia. ☒

An informational meeting will be held for Amendment
8 to the Virginia Hazardous Waste Management
Regulations to discuss the proposed changes in U.S.
Environmental Protection Agency regulations in solid
and hazardous waste management. The regulated
community, public and interested persons are invited
to attend. (Refer to the General Notices section for
Notice to the Public)

February 10, 1987 - 10 a.m. - Following meeting on
Amendment 8
James Monroe Building, 101 North 14th Street, Conference
Room C, Richmond, Virginia. ☒

An informational meeting will be held for Amendment
9 to the Virginia Hazardous Waste Management
Regulations to discuss the proposed changes in U.S.
Environmental Protection Agency regulations in solid
and hazardous waste management, following the
meeting on Amendment 8. The regulated community,

public, and interested persons are invited to attend.
(Refer to General Notices section for Notice to the
Public)

Contact: Cheryl Cashman, Public Information Officer,
Department of Waste Management, James Monroe
Building, 11th Floor, 101 N. 14th St., Richmond, Va. 23219,
telephone (804) 225-2667

STATE WATER CONTROL BOARD

February 24, 1987 - 7 p.m. - Open Meeting
Eastern Shore Community College, Route 13, Melfa,
Virginia

February 25, 1987 - 2 p.m. - Open Meeting
Norfolk City Council Chambers, City Hall Building, 11th
Floor, 810 Union Street, Norfolk, Virginia

The State Water Control Board is considering
promulgation of a regulation to obtain data on
agricultural ground water withdrawals in Ground
Water Management Areas pursuant to the 1986
amendments to the Groundwater Act (§ 62.1-44.87 of
the Code of Virginia). The purpose of the meeting will
be to discuss the reporting method employed by the
Virginia Cooperative Extension Services in 1986 to
obtain such data; to determine if this method was
effective; and if not, discuss what other methods may
be suitable.

Contact: Gerard Seely, Jr., Ground Water Program
Manager, Virginia Water Control Board, 2111 N. Hamilton
St., Richmond, Va. 23230, telephone (804) 257-6306

March 9, 1987 - 2 p.m. - Public Hearing
King George General District Courthouse, King George,
Virginia

Notice is hereby given in accordance with § 9-6.14:7.1
of the Code of Virginia that the State Water Control
Board intends to amend regulations entitled:
**Rappahannock Area Development Commission
(RADCO) 208 Area-wide Waste Treatment Management
Plan and Potomac-Shenandoah River Basin Water
Quality Management Plan.** Revision of the plans to
include water quality management planning for
RADCO Study Area IV which includes waste treatment
disposal alternatives for the King George Courthouse
area of King George County where previous planning
had not yet occurred.

Statutory Authority: § 62.1-44.15(3) of the Code of Virginia.

Written comments may be submitted until March 19, 1987,
to Ms. Doneva Dalton, Hearing Reporter, Office of Policy
Analysis, State Water Control Board, P.O. Box 11143,

Calendar of Events

Richmond, Virginia 23230.

Contact: Stephen L. Hogye, Supervisor, Water Resources Development, State Water Control Board, 5515 Cherokee Ave., Suite 404, Alexandria, Va. 22312, telephone (703) 642-7422

* * * * *

REPEAL NOTICE: The State Water Control Board proposes to repeal the four following regulations: **Regulation No. 3; Regulation No. 7. Industrial Waste Survey; Regulation No. 10. Trash and Pumpout Services for Vessels at Anchor; Priority System for Construction Grant Recipients to Determine Whether a Supplemental State Grant Should be Provided to Help Relieve an Extraordinary Hardship in Local Funding.**

March 11, 1987 - 2 p.m. - Public Hearing
Virginia War Memorial Auditorium, 621 South Belvidere Street, Richmond, Virginia.

Notice is hereby given in accordance with § 9-6.14:7.1 of the Code of Virginia that the State Water Control Board intends to repeal regulations entitled: **Regulation No. 3.** Regulation No.3 provides for local approval of the location or site of any proposed nongovernmentally owned sewage treatment plant before issuance of a certificate by the State Water Control Board.

Statutory Authority: § 62.1-44.15(10) of the Code of Virginia.

Written comments may be submitted until March 11, 1987, to Ms. Doneva Dalton, Hearing Reporter, State Water Control Board, P.O. Box 11143, Richmond, Virginia 23230.

Contact: Cindy M. Berndt, Policy Analyst, Office of Policy Analysis, State Water Control Board, P.O. Box 11143, Richmond, Va. 23230, telephone (804) 257-6828

* * * * *

March 11, 1987 - 2 p.m. - Public Hearing
Virginia War Memorial Auditorium, 621 South Belvidere Street, Richmond, Virginia

Notice is hereby given in accordance with § 9-6.14:7.1 of the Code of Virginia that the State Water Control Board intends to repeal regulations entitled: **Regulation No. 7 - Industrial Waste Survey.** Regulation No. 7 sets forth the methodology for owners of sewerage systems or treatment works to survey discharges of industrial wastes or other wastes into their systems and to submit the results of the survey to the board by July 1, 1977.

Statutory Authority: § 62.1-44.15(10) of the Code of Virginia.

Written comments may be submitted until March 11, 1987, to Ms. Doneva Dalton, Hearing Reporter, State Water Control Board, P.O. Box 11143, Richmond, Virginia 23230.

Contact: Cindy M. Berndt, Policy Analyst, Office of Policy Analysis, State Water Control Board, P.O. Box 11143, Richmond, Va. 23230, telephone (804) 257-6828

* * * * *

March 11, 1987 - 2 p.m. - Public Hearing
Virginia War Memorial Auditorium, 621 South Belvidere Street, Richmond, Virginia

Notice is hereby given in accordance with § 9-6.14:7.1 of the Code of Virginia that the State Water Control Board intends to repeal regulations entitled: **Regulation No. 10 - Trash and Pumpout Services for Vessels at Anchor.** Regulation No. 10 requires commercial vessels in the foreign trade larger than 1,000 gross tons that anchor in Virginia waters for longer than 48 hours to properly dispose of trash, garbage, sewage and sewage sludge.

Statutory Authority: § 62.1-44.15(10) of the Code of Virginia.

Written comments may be submitted until March 11, 1987, to Ms. Doneva Dalton, Hearing Reporter, State Water Control Board, P.O. Box 11143, Richmond, Virginia 23230.

Contact: Cindy M. Berndt, Policy Analyst, Office of Policy Analysis, State Water Control Board, P.O. Box 11143, Richmond, Va. 23230, telephone (804) 257-6828

* * * * *

March 11, 1987 - 2 p.m. - Public Hearing
Virginia War Memorial Auditorium, 621 South Belvidere Street, Richmond, Virginia.

Notice is hereby given in accordance with § 9-6.14:7.1 of the Code of Virginia that the State Water Control Board intends to repeal regulations entitled: **Priority System for Construction Grant Recipients to Determine Whether a Supplemental State Grant Should be Provided to Help Relieve an Extraordinary Hardship in Local Funding.** The Priority System (more commonly referred to as the Hardship System) sets forth the criteria for properly evaluating and ranking communities which are receiving federal construction grant assistance in ascending order of the degree of financial hardship brought about by building and operating wastewater treatment facilities.

Statutory Authority: § 62.1-44.15(10) of the Code of Virginia.

Written comments may be submitted until March 11, 1987, to Ms. Doneva Dalton, Hearing Reporter, State Water

Calendar of Events

Control Board, P.O. Box 11143, Richmond, Virginia 23230.

Contact: Cindy M. Berndt, Policy Analyst, Office of Policy Analysis, State Water Control Board, P.O. Box 11143, Richmond, Va. 23230, telephone (804) 257-6828

* * * * *

March 11, 1987 - 2 p.m. - Open Meeting
Virginia War Memorial Auditorium, 621 South Belvidere Street, Richmond, Virginia

Notice is hereby given in accordance with § 9-6.14:7.1 of the Code of Virginia that the State Water Control Board intends to amend regulations entitled: **VR 680-41-01. Public Participation Guidelines.** The guidelines set forth the manner in which the agency will encourage the participation of parties in the formation and development of regulations. The proposed amendments are intended to clarify requirements of the Guidelines and the Administrative Process Act and facilitate the regulatory adoption process.

Statutory Authority: § 62.1-44.15(7) of the Code of Virginia.

Written comments may be submitted until March 11, 1987 to Ms. Doneva Dalton, Hearing Reporter, State Water Control Board, P.O. Box 11143, Richmond, Virginia 23230.

Contact: Cindy M. Berndt, Policy Analyst, Office of Policy Analysis, State Water Control Board, P.O. Box 11143, Richmond, Va. 23230, telephone (804) 257-6828

* * * * *

March 11, 1987 - 2 p.m. - Public Hearing
Virginia War Memorial Auditorium, 621 South Belvidere Street, Richmond, Virginia.

Notice is hereby given in accordance with § 9-6.14:7.1 of the Code of Virginia that the State Water Control Board intends to amend regulations entitled: **VR 680-11-03. Water Resources Policy.** The Water Resources Policy is a statement of broad water resource management principles. The proposed amendments are editorial changes not affecting the principles set forth in the policy.

Statutory Authority: § 62.1-44.38 of the Code of Virginia.

Written comments may be submitted until March 11, 1987 to Doneva Dalton, Hearing Reporter, State Water Control Board, P.O. Box 11143, Richmond, Virginia 23230.

Contact: Cindy M. Berndt, Policy Analyst, Office of Policy Analysis, State Water Control Board, P.O. Box 11143, Richmond, Va. 23230, telephone (804) 257-6828

VIRGINIA COUNCIL ON THE STATUS OF WOMEN

January 20, 1987 - 4:30 p.m. - Open Meeting
Ramada Renaissance Hotel, 555 East Canal Street, Richmond, Virginia. ☒

A meeting of the education committee, followed by a meeting of the education, employment, family/support and public relations committees at 8 p.m.

January 21, 1987 - 10 a.m. - Open Meeting
Ramada Renaissance Hotel, 555 East Canal Street, Richmond, Virginia. ☒

A regular meeting of the council to conduct general business and to receive reports from the committees of the council.

Contact: Bonnie H. Robinson, Executive Director, Virginia Council on the Status of Women, 8007 Discovery Dr., Richmond, Va. 23229-8699, telephone (804) 281-9200

LEGISLATIVE

Notice to Subscribers

Legislative meetings held during the Session of the General Assembly are exempted from publication in the Virginia Register of Regulations. You may call Legislative Information for information on standing committee meetings. The number is (804) 786-6530.

CHRONOLOGICAL LIST

OPEN MEETINGS

January 19
Accountancy, Virginia State Board of

January 20
Accountancy, Virginia State Board of
Aging, Governor's Advisory Board on
Alcoholic Beverage Control Board, Virginia
Architects, Professional Engineers, Land Surveyors and
Certified Landscape Architects, State Board of
- Board of Professional Engineers
Funeral Directors and Embalmers, Virginia Board of
† George Mason University
- Board of Visitors
Health Regulatory Boards, Council on
† Health Regulatory Boards, Council on
- Legislative Committee
- Public Information Committee

Calendar of Events

- Scope and Standards of Practice Committee
Housing Development Authority, Virginia
Optometry, Virginia Board of
Women, Virginia Council on the Status of

January 21

Aging, Governor's Advisory Board on
Funeral Directors and Embalmers, Virginia Board of
Optometry, Virginia Board of
Women, Virginia Council on the Status of

January 22

† Conservation and Historic Resources, Department of
- Rappahannock River Advisory Committee
Funeral Directors and Embalmers, Virginia Board of
Professional Counselors, Board of
† Public Telecommunications Board, Virginia
Rehabilitative, Services, Virginia Board of

January 23

Architects, Professional Engineers, Land Surveyors and
Certified Landscape Architects, State Board of
- Board of Land Surveyors
† Building Code Technical Review Board, State
Education, Department of
Game and Inland Fisheries, Commission of
† Medicine, State Board of
- Informal Conference Committee
† Mental Health and Mental Retardation, Department
of
- Systemwide Training Workgroup
† Nursing, State Board of
Physical Therapy, Advisory Board on
Rehabilitative Services, Virginia Board of

January 26

Nursing, State Board of

January 27

Library Board, Virginia State
Library Board, Virginia State
- Automated Systems and Networking Committee
- Public Library Development Committee
† Milk Commission, State
Nursing, State Board of
† Medicine, State Board of
- Ad Hoc Committee on Respiratory Therapy

January 28

† Health Services Cost Review Council, Virginia
Mental Health and Mental Retardation Board, State
Nursing, State Board of
Rights for the Disabled, Board for
Waste Management Board, Virginia

January 29

Counselors, Board of Professional
† Health Coordinating Council, Virginia Statewide
† Housing and Community Development, Board of
- Amusement Device Technical Advisory Committee
Longwood College

- Board of Visitors
Medicine, Virginia State Board of
- Chiropractic Examination Committee
† Pharmacy, State Board of

January 30

† Health Coordinating Council, Virginia Statewide
Longwood College
- Board of Visitors
Medicine, Virginia State Board of
- Credentials Committee

January 31

Medicine, Virginia State Board of
- Credentials Committee

February 2

† Air Pollution Control Board, State

February 3

Alcoholic Beverage Control Board, Virginia
Auctioneers Board, Virginia
Marine Resources Committee
Pharmacy, State Board of
† Veterinary Medicine, Virginia Board of

February 5

† Medicine, Virginia State Board of and State Board of
Nursing (Joint Meeting)

February 6

General Services, Department of
- Art and Architectural Review Board
Medicine, Virginia State Board of
- Informal Conference Committee

February 10

† Nursing, State Board of
- Informal Conference Committee
Waste Management, Department of

February 11

† Corrections, Board of
Medicine, Virginia State Board of
- Informal Conference Committee

February 12

† Housing and Community Development, Board of
- Amusement Device Technical Advisory Committee
Pharmacy, State Board of

February 13

Pharmacy, State Board of
Pharmacy, State Board of

February 17

Alcoholic Beverage Control Board
Geology, Virginia State Board of
† Veterinary Medicine, Virginia Board of

February 18

Calendar of Events

- † Veterinary Medicine, Virginia Board of
- February 19**
Highways and Transportation Board, Virginia
Department of
† Veterinary Medicine, Virginia Board of
- February 20**
† Social Work, Board of
- February 24**
† Farmers' Market Board, Virginia
Water Control Board, State
- Ground Water Program Staff
- February 25**
Sewage Handling and Disposal Appeals Review Board,
State
Water Control Board, State
- Ground Water Program Staff
- February 26**
† Board of Housing and Community Development
- Amusement Device Technical Advisory Committee
- March 8**
Visually Handicapped, Virginia Department for the
- Advisory Committee on Services
- March 11**
† Corrections, Board of
- March 24**
† Local Government, Commission on
- March 25**
† Local Government, Commission on
- April 15**
† Pilots, Board of Commissioners to Examine
- Labor and Industry, Department of
- February 5**
Labor and Industry, Department of
- February 9**
Health, Department of
Social Services, Department of
- February 10**
Health, Department of
Social Services, Department of
- February 12**
Health, Department of
Social Services, Department of
- February 17**
Health, Department of
- February 18**
Health, Department of
- February 23**
Statewide Health Coordinating Council, Virginia
- February 24**
Health, Department of
- March 9**
Water Control Board, State
- March 11**
Water Control Board, State
- March 13**
Higher Education for Virginia, State Council of
- March 24**
† Local Government, Commission on
- April 1**
† Criminal Justice Services Board

PUBLIC HEARINGS

- January 19**
† Farmers' Market Board, Virginia
- January 23**
Education, State Board of
- January 26**
Barber Examiners, Virginia Board of
- February 2**
Labor and Industry, Department of
- February 3**
Labor and Industry, Department of
- February 4**

Calendar of Events
